

IMPORTANT:
Read Before Using

IMPORTANT :
Lire avant usage

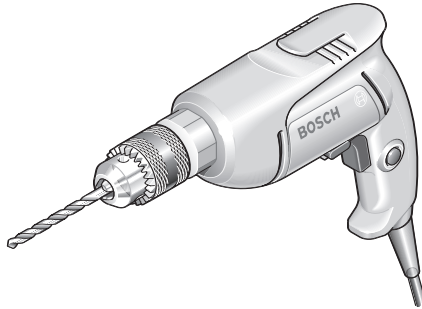
IMPORTANTE:
Leer antes de usar



Operating/Safety Instructions

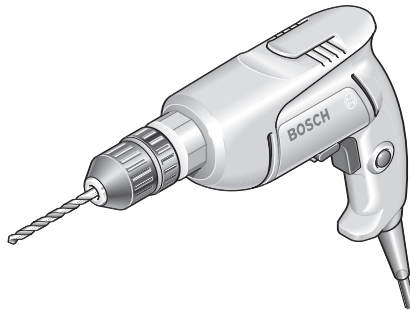
Consignes de fonctionnement/sécurité

Instrucciones de funcionamiento y seguridad



1004VSR

1005VSR



BOSCH

**Call Toll Free
for Consumer Information
& Service Locations**

**Pour renseignement des
consommateurs et centres
de service, appelez au
numéro gratuit :**

**Llame gratis para
obtener información
para el consumidor y
ubicaciones de servicio**

1-877-BOSCH99 (1-877-267-2499) www.boschtools.com

**For English
See page 2**

**Parlez-vous français?
Voir page 11**

**¿Habla español?
Ver página 20**

General Safety Rules

⚠ WARNING Read all instructions. Failure to follow all instructions listed below may result in electric shock, fire and/or serious injury. The term “power tool” in all of the warnings listed below refers to your mains-operated (corded) power tool or battery-operated (cordless) power tool.

SAVE THESE INSTRUCTIONS

Work area safety

Keep work area clean and well lit. Cluttered or dark areas invite accidents.

Do not operate power tools in explosive atmospheres, such as in the presence of flammable liquids, gases or dust. Power tools create sparks which may ignite the dust or fumes.

Keep children and bystanders away while operating a power tool. Distractions can cause you to lose control.

Electrical safety

Power tool plugs must match the outlet. Never modify the plug in any way. Do not use any adapter plugs with earthed (grounded) power tools. Unmodified plugs and matching outlets will reduce risk of electric shock.

Avoid body contact with earthed or grounded surfaces such as pipes, radiators, ranges and refrigerators. There is an increased risk of electric shock if your body is earthed or grounded.

Do not expose power tools to rain or wet conditions. Water entering a power tool will increase the risk of electric shock.

Do not abuse the cord. Never use the cord for carrying, pulling or unplugging the power tool. Keep cord away from heat, oil, sharp edges or moving parts. Damaged or entangled cords increase the risk of electric shock.

When operating a power tool outdoors, use an extension cord suitable for outdoor use. Use of a cord suitable for outdoor use reduces the risk of electric shock.

Do not use AC only rated tools with a DC power supply. While the tool may appear to work, the electrical components of the AC rated tool are likely to fail and create a hazard to the operator.

If operating the power tool in damp locations is unavoidable a Ground Fault Circuit Interrupter (GFCI) must be used to supply the power to your tool. GFCI and personal protection devices like electrician's rubber gloves and footwear will further enhance your personal safety.

Personal safety

Stay alert, watch what you are doing and use common sense when operating a power tool. Do not use a power tool while you are tired or under the influence of drugs, alcohol or medication. A moment of inattention while operating power tools may result in serious personal injury.

Use safety equipment. Always wear eye protection. Safety equipment such as dust mask, non-skid safety shoes, hard hat, or hearing protection used for appropriate conditions will reduce personal injuries.

Avoid accidental starting. Ensure the switch is in the off-position before plugging in. Carrying power tools with your finger on the switch or plugging in power tools that have the switch on invites accidents.

Remove any adjusting key or wrench before turning the power tool on. A wrench or a key left attached to a rotating part of the power tool may result in personal injury.

Do not overreach. Keep proper footing and balance at all times. This enables better control of the power tool in unexpected situations.

Dress properly. Do not wear loose clothing or jewelry. Keep your hair, clothing and gloves away from moving parts. Loose clothes, jewelry or long hair can be caught in moving parts.

If devices are provided for the connection of dust extraction and collection facilities, ensure these are connected and properly used. Use of these devices can reduce dust-related hazards.

Keep handles dry, clean and free from oil and grease. Slippery hands cannot safely control the power tool.

Power tool use and care

Do not force the power tool. Use the correct power tool for your application. The correct power tool will do the job better and safer at the rate for which it was designed.

Do not use the power tool if the switch does not turn it on and off. Any power tool that cannot be controlled with the switch is dangerous and must be repaired.

Disconnect the plug from the power source and/or the battery pack from the power tool before making any adjustments, changing accessories, or storing power tools. Such preventive safety measures reduce the risk of starting the power tool accidentally.

Store idle power tools out of the reach of children and do not allow persons unfamiliar with the power tool or these instructions to operate the power tool. Power tools are dangerous in the hands of untrained users.

Maintain power tools. Check for misalignment or binding of moving parts, breakage of parts and any other condition that may affect the power tools operation. If damaged, have the power tool repaired before use. Many accidents are caused by poorly maintained power tools.

Keep cutting tools sharp and clean. Properly maintained cutting tools with sharp

cutting edges are less likely to bind and are easier to control.

Use the power tool, accessories and tool bits etc., in accordance with these instructions and in the manner intended for the particular type of power tool, taking into account the working conditions and the work to be performed. Use of the power tool for operations different from those intended could result in a hazardous situation.

Use clamps or other practical way to secure and support the workpiece to a stable platform. Holding the work by hand or against your body is unstable and may lead to loss of control.

Empty dust container frequently, especially when sanding wood with polyurethane, varnish, shellac or similarly coated surface. Fine particles of sanding dust may self ignite and cause fire.

Service

Have your power tool serviced by a qualified repair person using only identical replacement parts. This will ensure that the safety of the power tool is maintained.

Develop a periodic maintenance schedule for your tool. When cleaning a tool be careful not to disassemble any portion of the tool since internal wires may be misplaced or pinched or safety guard return springs may be improperly mounted. Certain cleaning agents such as gasoline, carbon tetrachloride, ammonia, etc. may damage plastic parts.

SAVE THESE INSTRUCTIONS

Safety Rules for Drills

Hold tool by insulated gripping surfaces when performing an operation where the cutting tools may contact hidden wiring or its own cord. Contact with a "live" wire will make exposed metal parts of the tool "live" and shock the operator. *Do not drill, fasten or break into existing walls or other blind areas where electrical wiring may exist. If this situation is unavoidable, disconnect all fuses or circuit breakers feeding this worksite.*

Always wear safety goggles or eye protection when using this tool. Use a dust mask or respirator for applications which generate dust.

Secure the material being drilled. Never hold it in your hand or across legs. Unstable support can cause the drill bit to bind causing loss of control and injury.

Never leave the trigger locked "ON". Before plugging the tool in, check that the

trigger lock is "OFF". Accidental start-ups could cause injury.

Position the cord clear of rotating bit. Do not wrap the cord around your arm or wrist. If you lose control and have the cord wrapped around your arm or wrist it may entrap you and cause injury.

Position yourself to avoid being caught between the tool or side handle and walls or posts. Should the bit become bound or jammed in the work, the reaction torque of the tool could crush your hand or leg.

If the bit becomes bound in the workpiece, release the trigger immediately, reverse the direction of rotation and slowly squeeze the trigger to back out the bit. Be ready for a strong reaction torque. The drill body will tend to twist in the opposite direction as the drill bit is rotating.

Do not grasp the tool or place your hands too close to the spinning chuck or drill bit. Your hand may be lacerated.

Do not use the switch "Lock-ON" feature in situations where drill bit binding is likely. (For example: just before the bit is ready to break through the material, anytime when using a "Hole Saw", auger bits..... etc.) When the bit binds, the drill's body will twist or kick-back in opposite direction and the release of the trigger "Lock-ON" may be difficult.

Be aware of the location and setting of the switch "Lock-ON" button. If the switch is locked "ON" during the use, be ready for emergency situations to switch it "OFF", by first pulling the trigger then immediately releasing it without pressing the "Lock-ON" button.

When installing a drill bit, insert the shank of the bit well within the jaws of the chuck. If the bit is not inserted deep enough, the grip of the jaws over the bit is reduced and the loss of control is increased.

Do not use dull or damaged bits and accessories. Dull or damaged bits have a greater tendency to bind in the workpiece.


When removing the bit from the tool avoid contact with skin and use proper protective gloves when grasping the bit or accessory. Accessories may be hot after prolonged use.

Check to see that keys and adjusting wrenches are removed from the drill before switching the tool "ON". Keys or wrenches can fly away at high velocity striking you or a bystander.

Do not run the drill while carrying it at your side. A spinning drill bit could become entangled with clothing and injury may result.

This tool may be used with sanding and polishing disks, grinding wheels, wire wheel and wire cup brushes. These accessories must be rated for at least the speed recommended on the tool warning label. Wheels and other accessories running over rated speed can fly apart and cause injury.

Avoid bouncing and snagging the wheels, discs or brushes especially when working corners, sharp edges, etc. This can cause loss of control and kickback.



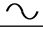
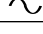




 WARNING Some dust created by power sanding, sawing, grinding, drilling, and other construction activities contains chemicals known to cause cancer, birth defects or other reproductive harm. Some examples of these chemicals are:

- Lead from lead-based paints,
- Crystalline silica from bricks and cement and other masonry products, and
- Arsenic and chromium from chemically-treated lumber.

Your risk from these exposures varies, depending on how often you do this type of work. To reduce your exposure to these chemicals: work in a well ventilated area, and work with approved safety equipment, such as those dust masks that are specially designed to filter out microscopic particles.

Symbols

IMPORTANT: Some of the following symbols may be used on your tool. Please study them and learn their meaning. Proper interpretation of these symbols will allow you to operate the tool better and safer.

Symbol	Name	Designation/Explanation
V	Volts	Voltage (potential)
A	Amperes	Current
Hz	Hertz	Frequency (cycles per second)
W	Watt	Power
kg	Kilograms	Weight
min	Minutes	Time
s	Seconds	Time
∅	Diameter	Size of drill bits, grinding wheels, etc.
n_0	No load speed	Rotational speed, at no load
.../min	Revolutions or reciprocation per minute	Revolutions, strokes, surface speed, orbits etc. per minute
0	Off position	Zero speed, zero torque...
1, 2, 3, ... I, II, III,	Selector settings	Speed, torque or position settings. Higher number means greater speed
	Infinitely variable selector with off	Speed is increasing from 0 setting
	Arrow	Action in the direction of arrow
	Alternating current	Type or a characteristic of current
	Direct current	Type or a characteristic of current
	Alternating or direct current	Type or a characteristic of current
	Class II construction	Designates Double Insulated Construction tools.
	Earthing terminal	Grounding terminal
	Warning symbol	Alerts user to warning messages
	Ni-Cad RBRC seal	Designates Ni-Cad battery recycling program



This symbol designates that this tool is listed by Underwriters Laboratories.



This symbol designates that this tool is listed to Canadian Standards by Underwriters Laboratories.



This symbol designates that this tool is listed by the Canadian Standards Association.



This symbol designates that this tool is listed by Underwriters Laboratories, and listed to Canadian Standards by Underwriters Laboratories.



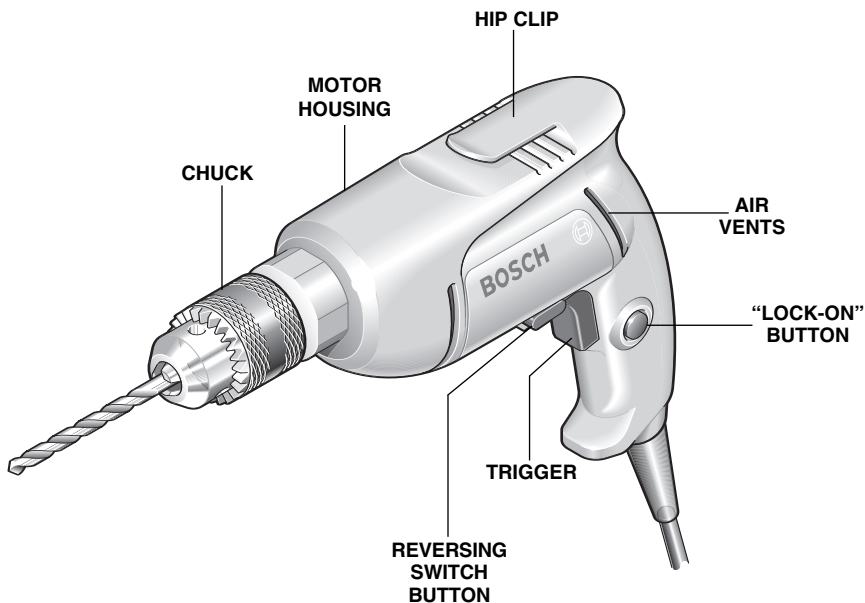
This symbol designates that this tool complies to NOM Mexican Standards.

Functional Description and Specifications

WARNING Disconnect the plug from the power source before making any assembly, adjustments or changing accessories. Such preventive safety measures reduce the risk of starting the tool accidentally.

Drills

FIG. 1



MAXIMUM CAPACITIES

Model No.	Chuck Size and type	Screw Sizes	Mild Steel	Hard Wood	Hole Saw	Auger Bit
1004VSR	3/8" Keyed	#8 x 2-1/2"	3/8"	1"	1-3/8"	NR
1005VSR	3/8" Keyless	#8 x 2-1/2"	3/8"	1"	1-3/8"	NR

NR = Not recommended

ATTENTION: 3/8 inch drills are not recommended for running lag bolts

NOTE: For tool specifications refer to the nameplate on your tool.

Operating Instructions

TRIGGER CONTROLLED VARIABLE SPEED

Your tool is equipped with a variable speed trigger switch. The tool speed can be controlled from minimum to maximum nameplate rated RPM by the pressure you apply to the trigger. Apply more pressure to increase the speed and release pressure to decrease speed (Fig. 1).

"LOCK-ON" BUTTON

Your tool is also equipped with a "Lock-ON" button located on the left side of the trigger handle that allows for operation at maximum RPM without holding the trigger (Fig. 1).

TO LOCK TRIGGER "ON": squeeze trigger, depress button and release trigger.

TO UNLOCK THE TRIGGER: squeeze trigger and release it without depressing the "Lock-ON" button.

⚠ WARNING If the "Lock-ON" button is continuously being depressed, the trigger can not be released.

REVERSING SWITCH BUTTON

The reversing switch button is located above the trigger switch and is used to reverse rotation of the bit. For forward rotation, (with the chuck pointed away from you) move button to the far left. For reverse rotation move the button to the far right.

⚠ CAUTION Do not change direction of rotation until the tool comes to a complete stop. Shifting during rotation of the chuck can cause damage to the tool.

HIP CLIP

Your tool is equipped with a hip clip that allows you to conveniently attach your drill to your belt, (Fig.1) This feature will allow you to have both hands free when climbing a ladder or positioning material to be fastened.

CHUCK KEY & STORAGE AREA

Keyed models are equipped with a chuck key that is conveniently located on the cord protector where it is always handy and unlikely to get lost or misplaced.

INSERTING BIT

For small bits, open jaws enough to insert the bit up to the flutes. For large bits, insert the bit as far as it will go. Center the bit as you close the jaws by hand. This positions the bit properly, giving maximum contact between the chuck jaws and the bit shank.

KEYED MODELS

To tighten chuck, insert key into each of the three key holes in succession and tighten firmly. The chuck can be released by using one hole only (Fig. 2).

KEYLESS MODELS

To tighten, hold the chuck collar firmly with one hand and securely tighten the chuck sleeve with the other hand (Fig. 3).

⚠ WARNING To prevent friction burns, or possible hand injury, do not loosen or tighten the chuck by using the power of the drill.

FIG. 2

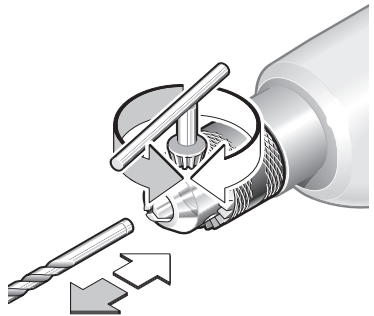
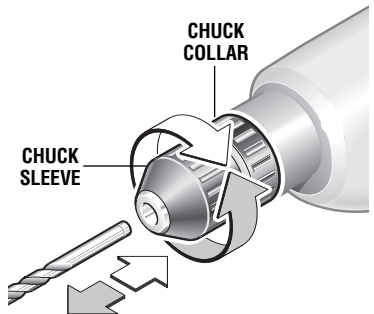


FIG. 3



Operating Tips

You will extend the life of your bits and do neater work if you always put the bit in contact with the work before pulling the trigger. During the operation, hold the tool firmly and exert light, steady pressure. Too much pressure at low speed will stall the tool. Too little pressure will keep the bit from cutting and cause excess friction by sliding over the surface. This can be damaging to both tool and bit.

DRILLING WITH VARIABLE SPEED

The trigger controlled variable speed feature will eliminate the need for center punches in hard materials. The variable speed trigger

allows you to slowly increase RPM. By using a slow starting speed, you are able to keep the bit from “wandering”. You can increase the speed as the bit “bites” into the work by squeezing the trigger.

DRIVING WITH VARIABLE SPEED

Variable speed drills will double as a power screwdriver by using a screwdriver bit in the drill mode. The technique is to start slowly, increasing the speed as the screw runs down. Set the screw snugly by slowing to a stop. Prior to driving screws, pilot and clearance holes should be drilled.

FASTENING WITH SCREWS

The procedure shown in (Fig. 4) will enable you to fasten materials together with your hammer drill in the drill mode without stripping, splitting or separating the material.

First, clamp the pieces together and drill the first hole 2/3 the diameter of the screw. If the material is soft, drill only 2/3 the proper length. If it is hard, drill the entire length.

Second, unclamp the pieces and drill the second hole the same diameter as the screw shank in the first or top piece of wood.

Third, if flat head screw is used, countersink the hole to make the screw flush with the surface. Then, simply apply even pressure when driving the screw. The screw shank clearance hole in the first piece allows the screw head to pull the pieces tightly together.

The adjustable screw drill accessory will do all of these operations quickly and easily. Screw drills are available for screw sizes No. 6, 8, 10 and 12.

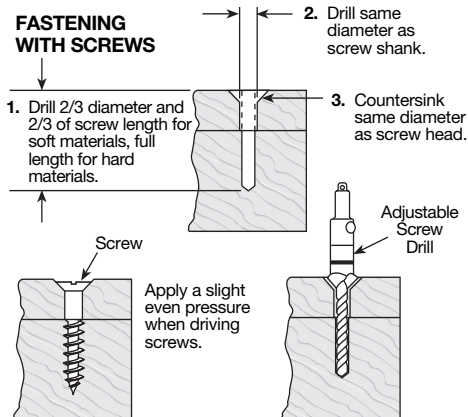


FIG. 4

DRILL BITS

Always inspect drill bits for excessive wear. Use only bits that are sharp and in good condition.

TWIST BITS: Available with straight and reduced shanks for wood and light duty metal drilling. High speed bits cut faster and last longer on hard materials.

CARBIDE TIPPED BITS: Used for drilling stone, concrete, plaster, cement and other unusually hard nonmetals. Use continuous heavy feed pressure when employing carbide tip bits.

DRILLING WOOD

Be certain workpiece is clamped or anchored firmly. Always apply pressure in a straight line with the drill bit. Maintain enough pressure to keep the drill “biting”.

When drilling holes in wood, twist bits can be used. Twist bits may overheat unless pulled out frequently to clear chips from flutes.

Use a “back-up” block of wood for work that is likely to splinter, such as thin materials.

You will drill a cleaner hole if you ease up on the pressure just before the bit breaks through

Operating Tips — cont.

the wood. Then complete the hole from the back side.

DRILLING METAL

There are two rules for drilling hard materials. First, the harder the material, the greater the pressure you need to apply to the tool. Second, the harder the material, the slower the speed. Here are a couple of tips for drilling in metal. Lubricate the tip of the bit occasionally with cutting oil except when drilling soft metals such as aluminum, copper or cast iron. If the hole to be drilled is fairly large, drill a smaller hole first, then enlarge to the required size, it's often faster in the long run. Maintain enough pressure to assure that the bit does not just spin in the hole. This will dull the bit and greatly shorten its life.

DRILLING MASONRY

Soft materials such as brick are relatively easy to drill. Concrete however, will require much more pressure to keep the bit from spinning. Be sure to use carbide tip bits for all masonry work.



WARNING

Before using an accessory, be certain that its maximum safe operating speed is not exceeded by the nameplate speed of the tool. Do not exceed the recommended wheel diameter.

SANDING AND POLISHING

You will find the "Lock-ON" button feature a convenience for the continuous operation required for rough sanding. Fine sanding and polishing require "touch". Select the most efficient speed.

When using polishing bonnets, always be sure the excess string that secures the bonnet is tucked well within the bonnet during operation.

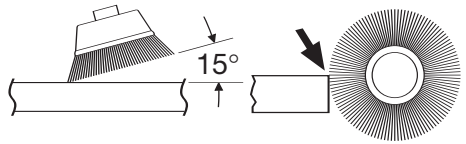
WIRE BRUSHES

Work with brushes requires high speeds. Use of the "Lock-ON" button feature will provide a much easier operation.

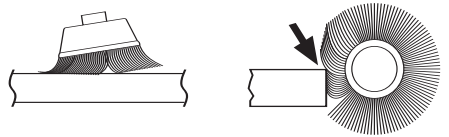
BRUSHING PRESSURE

1. Remember, the tips of a wire brush do the work. Operate the brush with the lightest pressure so only the tips of the wire come in contact with the work.
2. If heavier pressures are used, the wires will be overstressed, resulting in a wiping action; and if this is continued, the life of the brush will be shortened due to wire fatigue.
3. Apply the brush to the work in such a way that as much of the brush face as possible is in full contact with the work. Applying the side or edge of the brush to the work will result in wire breakage and shortened brush life.

CORRECT: Wire tips doing the work.



INCORRECT: Excessive pressure can cause wire breakage.



RUNNING NUTS AND BOLTS

Variable speed control must be used with caution for driving nuts and bolts with socket set attachments. The technique is to start slowly, increasing speed as the nut or bolt runs down. Set the nut or bolt snugly by slowing the drill to a stop. If this procedure is not followed, the tool will have a tendency to torque or twist in your hands when the nut or bolt seats.

Maintenance

Service

⚠ WARNING Preventive maintenance performed by unauthorized personnel may result in misplacing of internal wires and components which could cause serious hazard. We recommend that all tool service be performed by a Bosch Factory Service Center or Authorized Bosch Service Station.

TOOL LUBRICATION

Your Bosch tool has been properly lubricated and is ready to use. It is recommended that tools with gears be regreased with a special gear lubricant at every brush change.

CARBON BRUSHES

The brushes and commutator in your tool have been engineered for many hours of dependable service. To maintain peak efficiency of the motor, we recommend every two to six months the brushes be examined. Only genuine Bosch replacement brushes specially designed for your tool should be used.

BEARINGS

After about 300-400 hours of operation, or at every second brush change, the bearings

should be replaced at Bosch Factory Service Center or Authorized Bosch Service Station. Bearings which become noisy (due to heavy load or very abrasive material cutting) should be replaced at once to avoid overheating or motor failure.

Cleaning

⚠ WARNING To avoid accidents always disconnect the tool from the power supply before cleaning or performing any maintenance. The tool may be cleaned most effectively with compressed dry air. **Always wear safety goggles when cleaning tools with compressed air.**

Ventilation openings and switch levers must be kept clean and free of foreign matter. Do not attempt to clean by inserting pointed objects through openings.

⚠ CAUTION Certain cleaning agents and solvents damage plastic parts. Some of these are: gasoline, carbon tetrachloride, chlorinated cleaning solvents, ammonia and household detergents that contain ammonia.

Accessories

⚠ WARNING If an extension cord is necessary, a cord with adequate size conductors that is capable of carrying the current necessary for your tool must be used. This will prevent excessive voltage drop, loss of power or overheating. Grounded tools must use 3-wire extension cords that have 3-prong plugs and receptacles.

NOTE: The smaller the gauge number, the heavier the cord.

RECOMMENDED SIZES OF EXTENSION CORDS
120 VOLT ALTERNATING CURRENT TOOLS

Tool's Ampere Rating	Cord Size in A.W.G.				Wire Sizes in mm ²			
	Cord Length in Feet				Cord Length in Meters			
	25	50	100	150	15	30	60	120
3-6	18	16	16	14	0.75	0.75	1.5	2.5
6-8	18	16	14	12	0.75	1.0	2.5	4.0
8-10	18	16	14	12	0.75	1.0	2.5	4.0
10-12	16	16	14	12	1.0	2.5	4.0	—
12-16	14	12	—	—	—	—	—	—

Consignes générales de sécurité

⚠ AVERTISSEMENT

Veillez lire et comprendre toutes les consignes. Si on n'observe pas toutes les consignes décrites ci-dessous, il y a risque de choc électrique, d'incendie et/ou de blessures corporelles graves. Dans toutes les mises en garde ci-dessous, le terme « outil électroportatif » se rapporte à des outils branchés sur le secteur (avec fil) ou à des outils alimentés par piles (sans fil).

CONSERVEZ CES CONSIGNES

Sécurité du lieu de travail

Maintenez le lieu de travail propre et bien éclairé. Les risques d'accident sont plus élevés quand on travaille dans un endroit encombré ou sombre.

N'utilisez pas d'outils électroportatifs dans des atmosphères explosives, comme par exemple en présence de gaz, de poussières ou de liquides inflammables. Les outils électroportatifs produisent des étincelles qui risquent d'enflammer les poussières ou les vapeurs.

Éloignez les enfants et les visiteurs quand vous servez d'un outil électroportatif. Vous risquez une perte de contrôle si on vous distrait.

Sécurité électrique

Les fiches des outils électroportatifs doivent correspondre à la prise. Il ne faut absolument jamais modifier la fiche. N'utilisez pas d'adaptateur de prise avec des outils électroportatifs munis d'une fiche de terre. Le risque de choc électrique est moindre si on utilise une fiche non modifiée sur une prise qui lui correspond.

Évitez tout contact du corps avec des surfaces reliées à la terre tels que tuyaux, radiateurs, gazinières ou réfrigérateurs. Le risque de choc électrique augmente si votre corps est relié à la terre.

N'exposez pas les outils électroportatifs à la pluie ou à l'humidité. Si de l'eau pénètre dans un outil électroportatif, le risque de choc électrique augmente.

Ne maltraitez pas le cordon. Ne vous en servez jamais pour transporter l'outil électroportatif, pour le tirer ou pour le débrancher. Éloignez le cordon de la chaleur, des huiles, des arêtes coupantes ou des pièces mobiles. Les cordons abîmés ou emmêlés augmentent les risques de choc électrique.

Si vous utilisez un outil électroportatif à l'extérieur, employez une rallonge conçue pour l'extérieur. Ces rallonges sont faites pour l'extérieur et réduisent le risque de choc électrique.

N'utilisez pas un outil conçu uniquement pour le C.A. sur une alimentation en C.C. Même si l'outil semble fonctionner, les composants électriques d'un outil prévu pour le C.A. tomberont probablement en panne et risquent de créer un danger pour l'utilisateur.

S'il est nécessaire d'utiliser l'outil dans un lieu humide, il faut l'alimenter par l'intermédiaire d'un disjoncteur différentiel de fuite à la terre (DDFT).

L'emploi d'un DDFT et de dispositifs de protection personnelle tels que gants et chaussures d'électricien en caoutchouc améliorent votre sécurité personnelle.

Sécurité personnelle

Restez concentré, faites attention à ce que vous faites, et servez-vous de votre bon sens lorsque vous utilisez un outil électroportatif. N'employez pas d'outils électroportatifs quand vous êtes fatigué ou sous l'emprise de drogues, d'alcool ou de médicaments. Quand on utilise des outils électroportatifs, il suffit d'un moment d'inattention pour causer des blessures corporelles graves.

Utilisez des équipements de sécurité. Portez toujours une protection oculaire. Si les conditions le demandent, il faut porter un masque à poussière, des chaussures de sécurité antidérapantes, un casque de chantier ou une protection auditive pour réduire le risque de blessure corporelle.

Évitez les démarrages intempestifs. Assurez-vous que l'interrupteur est en position arrêté (OFF) avant de brancher l'outil. Transporter un outil électroportatif avec le doigt sur la gâchette ou le brancher quand l'interrupteur est en position "marche" (ON) présente des risques d'accident.

Enlevez toutes les clés de réglage avant de mettre l'outil électroportatif en marche. Si on laisse une clé sur une pièce tournante de l'outil électroportatif, il y a risque de blessure corporelle.

Ne vous penchez pas. Conservez toujours une bonne assise et un bon équilibre. Ceci vous permettra de mieux maîtriser l'outil électroportatif dans des situations inattendues.

Habillez-vous de manière appropriée. Ne portez pas de vêtements amples ou de bijoux. Attachez les cheveux longs. N'approchez pas les cheveux, les vêtements ou les gants des pièces en mouvement. Les vêtements amples, les bijoux ou les cheveux longs risquent d'être happés par les pièces en mouvement.

Si l'outil est muni de dispositifs permettant le raccordement d'un système d'aspiration et de collecte des poussières, assurez-vous que ces dispositifs sont raccordés et utilisés correctement. L'utilisation de ces dispositifs peut permettre de réduire les dangers liés à la poussière.

Maintenez les poignées sèches et exemptes d'huile et de graisse. On ne peut pas maîtriser un outil électroportatif en toute sécurité quand on a les mains glissantes.

Utilisation et entretien des outils électroportatifs

Ne forcez pas sur l'outil électroportatif. Utilisez l'outil électroportatif qui convient à la tâche à effectuer. L'outil qui convient à la tâche fait un meilleur travail et est plus sûr à la vitesse pour lequel il a été conçu.

Ne vous servez pas de l'outil électroportatif si son interrupteur ne parvient pas à le mettre en marche ou à l'arrêter. Tout outil électroportatif qui ne peut pas être commandé par son interrupteur est dangereux et doit être réparé.

Débranchez la fiche de la prise ou enlevez le bloc-pile de l'outil électroportatif avant tout réglage, changement d'accessoires ou avant de ranger l'outil électroportatif. De telles mesures de sécurité préventive réduisent le risque de démarrage intempestif de l'outil électroportatif.

Rangez les outils électroportatifs dont vous ne vous servez pas hors de portée des enfants et ne permettez pas à des personnes qui ne connaissent pas l'outil électroportatif ou qui ignorent ces consignes de s'en servir. Les outils électroportatifs sont dangereux dans les mains d'utilisateurs inexpérimentés.

Entretenez les outils électroportatifs. Vérifiez que les pièces mobiles sont alignées correctement et ne coincent pas. Vérifiez qu'il n'y a pas de pièces cassées ou d'autre circonstance qui risquent d'affecter le fonctionnement de l'outil électroportatif. Si l'outil est abîmé, faites-le réparer avant de l'utiliser. De nombreux accidents sont causés par des outils électroportatifs mal entretenus.

Maintenez les outils coupants affûtés et propres. Les outils coupants entretenus correctement et dotés de bords tranchants affûtés sont moins susceptibles de coincer et sont plus faciles à maîtriser.

Utilisez l'outil électroportatif, les accessoires, les embouts etc. selon ces consignes et de la manière prévue pour chaque type particulier d'outil électroportatif en tenant compte des conditions de travail et de la tâche à accomplir. L'emploi d'outils électroportatifs pour des tâches différentes de celles pour lesquelles ils ont été prévus peut résulter en une situation dangereuse.

Utilisez des brides ou d'autres moyens pratiques de brider ou de supporter la pièce sur une plate-forme stable. Tenir la pièce à la main ou contre le corps est instable et risque de résulter en une perte de contrôle.

Videz fréquemment le récipient à poussière, surtout quand vous poncez du bois, du polyuréthane, du vernis, de la laque ou des surfaces similairement enduites. Les fines particules de poussière de ponçage peuvent s'enflammer spontanément et provoquer un incendie.

Entretien

Faites réparer votre outil électroportatif par un agent de service qualifié n'utilisant que des pièces de rechange identiques. Ceci assure que la sécurité de l'outil électroportatif est préservée.

Créez un agenda d'entretien périodique pour votre outil. Quand vous nettoyez un outil, faites attention de n'en démonter aucune pièce car il est toujours possible de mal remonter ou de pincer les fils internes ou de remonter incorrectement les ressorts de rappel des capots de protection. Certains agents de nettoyage tels que l'essence, le tétrachlorure de carbone, l'ammoniaque, etc. risquent d'abîmer les plastiques.

CONSERVEZ CES INSTRUCTIONS

Consignes de sécurité pour les perceuses

Tenez l'outil par les surfaces isolées de préhension en exécutant une opération au cours de laquelle l'outil de coupe peut venir en contact avec les fils cachés ou son propre cordon. Le contact avec un fil sous tension rendra les pièces métalliques exposées de l'outil sous tension et causera des chocs à l'opérateur. *Ne percez, fixez et ne rentrez pas dans des murs existants ou autres endroits aveugles pouvant abriter des fils électriques. Si cette situation est inévitable, débranchez tous les fusibles ou les disjoncteurs alimentant ce site.*

Portez toujours des lunettes à coques latérales ou des lunettes de protection en utilisant cet outil. Utilisez un respirateur ou un masque anti-poussières pour les applications produisant de la poussière.

Assujettissez l'ouvrage à percer. Ne le tenez jamais dans votre main ou par-dessus vos jambes. Un support instable peut faire gripper le foret, provoquant ainsi une perte de contrôle et des blessures.

Ne tenez jamais la gâchette bloquée en position de marche. Avant de brancher l'outil, assurez-vous que le blocage de la gâchette est inhibé. Les mises en marche accidentelles peuvent causer des blessures.

Placez le cordon à l'écart du foret en rotation. N'enroulez pas le cordon autour de votre bras ou de votre poignet. Si vous perdez contrôle et que le cordon s'enroule autour de votre bras ou de votre poignet, il peut vous emprisonner et vous blesser.

Placez-vous de manière à éviter d'être pris entre l'outil ou la poignée latérale et les murs ou les montants. Si le foret se coince ou grippe dans l'ouvrage, le couple de réaction de l'outil pourrait écraser votre main ou votre pied.

Si le foret grippe dans l'ouvrage, relâchez la gâchette immédiatement, inversez le sens de rotation et appuyez lentement sur la gâchette pour faire ressortir le foret. Soyez prêt à un fort couple de réaction. Le corps de la perceuse aura tendance à tordre en sens opposé à mesure que le foret tourne.

Ne saisissez pas l'outil et ne placez vos mains trop près du foret ou du mandrin en rotation. Votre main pourrait être lacérée.

N'utilisez pas le dispositif de blocage en position de marche de l'interrupteur dans des situations où le foret est susceptible de gripper. (Par exemple : immédiatement avant que le foret ne soit prêt à rentrer à travers le matériau, chaque fois que vous utilisez une « scie à perforation », des mèches hélicoïdales, etc.) Lorsque le foret grippe, le corps de la perceuse tord ou rebondit en sens opposé, et il peut être difficile de relâcher le dispositif de blocage en position de marche de la gâchette.

Soyez au courant de l'emplacement et de la position du bouton de blocage en marche de la gâchette. Si l'interrupteur est bloqué en marche durant l'usage, soyez prêt, dans des cas d'urgence, à le mettre à l'arrêt en appuyant d'abord sur la gâchette, puis en la relâchant immédiatement sans appuyer sur le bouton de blocage en marche.

En installant un foret, insérez la tige du foret bien à l'intérieur des mâchoires du mandrin. Si le foret n'est pas inséré assez profondément, la prise des mâchoires sur le foret est réduite et la perte de contrôle est accrue.

N'utilisez pas de forets et d'accessoires émoussés ou endommagés. Les forets émoussés ou endommagés ont tendance à gripper dans l'ouvrage.

En retirant le foret de l'outil, évitez tout contact avec la peau et utilisez des gants protecteurs appropriés en saisissant le foret ou l'accessoire. Les accessoires peuvent être chauds après une utilisation prolongée.

Assurez-vous que les clés de serrage et de réglage sont retirées de la perceuse avant de mettre l'outil en marche. Les clés de serrage ou de réglage peuvent être projetées à grande vitesse et frapper une personne présente ou vous-même.

Ne faites pas fonctionner la perceuse en la portant à votre côté. Un foret en rotation pourrait s'emmêler à vos vêtements, ce qui pourrait causer des blessures.

Cet outil peut être utilisé avec les disques de ponçage et de polissage, les meules, les brosses à coupe métallique et à meule métallique. Ces accessoires doivent être au moins prévus pour la vitesse recommandée sur l'étiquette d'avertissement de l'outil. Les meules et les autres accessoires fonctionnant à une vitesse supérieure à la vitesse nominale peuvent voler en éclats et causer des blessures.

Évitez de faire rebondir et de heurter les meules, les disques ou les brosses, surtout lorsque vous travaillez sur des angles, des arêtes vives, etc. Ceci peut causer une perte de contrôle et un rebond.




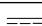
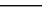


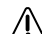

 AVERTISSEMENT Les travaux à la machine tel que ponçage, sciage, meulage, perçage et autres travaux du bâtiment peuvent créer des poussières contenant des produits chimiques qui sont des causes reconnues de cancer, de malformation congénitale ou d'autres problèmes reproductifs. Ces produits chimiques sont, par exemple :

- Le plomb provenant des peintures à base de plomb,
- Les cristaux de silices provenant des briques et du ciment et d'autres produits de maçonnerie, et
- L'arsenic et le chrome provenant des bois traités chimiquement.

Le niveau de risque dû à cette exposition varie avec la fréquence de ces types de travaux. Pour réduire l'exposition à ces produits chimiques, il faut travailler dans un lieu bien ventilé et porter un équipement de sécurité approprié tel que certains masques à poussière conçus spécialement pour filtrer les particules microscopiques.

Symboles

IMPORTANT : Certains des symboles suivants peuvent être utilisés sur votre outil. Veuillez les étudier et apprendre leur signification. Une interprétation appropriée de ces symboles vous permettra d'utiliser l'outil de façon plus efficace et plus sûre.

Symbole	Nom	Désignation/Explication
V	Volts	Tension (potentielle)
A	Ampères	Courant
Hz	Hertz	Fréquence (cycles par seconde)
W	Watt	Puissance
kg	Kilogrammes	Poids
min	Minutes	Temps
s	Secondes	Temps
∅	Diamètre	Taille des mèches de perceuse, meules, etc.
n_0	Vitesse à vide	Vitesse de rotation, à vide
.../min	Tours ou mouvement alternatif par minute	Tours, coups, vitesse en surface, orbites, etc., par minute
0	Position d'arrêt	Vitesse zéro, couple zéro ...
1, 2, 3, ... I, II, III, ...	Réglages du sélecteur	Réglages de vitesse, de couple ou de position. Un nombre plus élevé signifie une vitesse plus grande.
	Sélecteur variable à l'infini avec arrêt	La vitesse augmente depuis le réglage 0
	Flèche	Action dans la direction de la flèche
	Courant alternatif	Type ou caractéristique du courant
	Courant continu	Type ou caractéristique du courant
	Courant alternatif ou continu	Type ou caractéristique du courant
	Construction classe II	Désigne des outils construits avec double isolation
	Borne de terre	Borne de mise à la terre
	Symbole d'avertissement	Alerte l'utilisateur aux messages d'avertissement.
	Sceau Ni-Cad RBRC™	Désigne le programme de recyclage des piles Ni-Cad.



Ce symbole signifie que cet outil est approuvé par Underwriters Laboratories.



Ce symbole signifie que cet outil est approuvé conformément aux normes canadiennes par Underwriters Laboratories.



Ce symbole signifie que cet outil se conforme aux normes mexicaines NOM.



Ce symbole signifie que cet outil est approuvé par l'Association canadienne de normalisation.



Ce symbole signifie que cet outil est approuvé par Underwriters Laboratories et qu'il a été homologué selon les normes canadiennes par Underwriters Laboratories.

Description fonctionnelle et spécifications

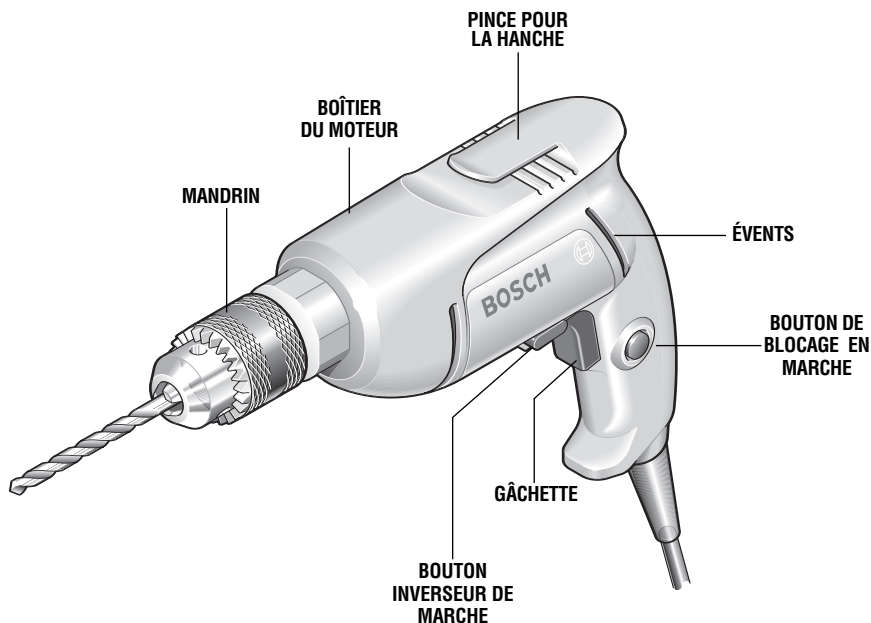


AVERTISSEMENT

Débranchez la fiche de la prise de courant avant d'effectuer quelque assemblage ou réglage que ce soit ou de changer les accessoires. Ces mesures de sécurité préventive réduisent le risque d'une mise en marche accidentelle de l'outil.

Perceuses

FIG. 1



CAPACITÉS MAXIMALES

No. de modèle	Dimension et type de mandrin	Tailles de vis	Acier doux	Bois dur	Scie pour trous	Queue-de-cochon
1004	3/8 po à clé	No. 8 x 2-1/2 po	3/8 po	1 po	1-3/8 po	NR
1005	3/8 po sans clé	No. 8 x 2-1/2 po	3/8 po	1 po	1-3/8 po	NR

NR = Non recommandé

ATTENTION : Les perceuses de 3/8 po ne sont pas recommandées pour utilisation avec des tire-fond.

REMARQUE : Pour spécifications de l'outil, reportez-vous à la plaque signalétique de votre outil.

Consignes de fonctionnement

VITESSE VARIABLE COMMANDÉE PAR GÂCHETTE

Votre outil est équipée d'une gâchette à vitesse variable. La vitesse de l'outil peut être réglée de zéro au régime maximum spécifié sur la plaque signalétique. La vitesse s'ajuste par la pression que vous exercez sur la gâchette. Exercez plus de pression pour augmenter la vitesse, et relâchez la pression pour diminuer la vitesse (Fig. 1).

BOUTON DE BLOCAGE EN MARCHÉ

La outil est également pourvue d'un bouton de blocage en marche situé du côté gauche de la poignée de la gâchette qui permet le fonctionnement au régime maximum — sans devoir tenir la gâchette (Fig. 1).

POUR BLOQUER L'INTERRUPTEUR EN MARCHÉ : appuyez sur la gâchette, appuyez sur le bouton et relâchez la gâchette

POUR DEBLOQUER L'INTERRUPTEUR : appuyez sur la gâchette et relâchez-la sans appuyer sur le bouton de blocage en marche.

⚠ AVERTISSEMENT Si l'utilisateur appuie continuellement sur le bouton de blocage en marche, la gâchette ne peut pas être relâchée.

BOUTON INVERSEUR DE MARCHÉ

Le bouton inverseur de marche est situé au-dessus de la gâchette et il sert à inverser le sens de marche du foret. Pour la rotation avant (le mandrin étant dirigé en sens opposé à vous), déplacez le bouton à l'extrême gauche. Pour la rotation inverse, déplacez le bouton à l'extrême droite.

⚠ MISE EN GARDE Ne changez pas le sens de rotation avant que l'outil ne se soit complètement immobilisé. Un changement durant la rotation du mandrin pourrait endommager l'outil.

PINCE POUR HANCHE

Votre outil est pourvu d'une pince pour hanche qui vous permet de fixer commodément votre perceuse à la ceinture (Fig. 1). Grâce à cette pince, vous avez ainsi les mains libres lorsque vous montez dans une échelle ou que vous positionnez le matériau à fixer.

CLÉ DE MANDRIN ET AIRE DE RANGEMENT

Les modèles à clé sont équipés d'une clé de mandrin qui est située commodément sur le protecteur de cordon où elle est toujours à la portée de la main et peu susceptible d'être perdue ou égarée.

INSERTION DU FORET

Pour les petits forets, ouvrez les mâchoires suffisamment de manière à insérer le foret jusqu'aux cannelures. Pour les gros forets, insérez le foret aussi loin que possible. Centrez le foret à mesure que vous refermez manuellement les mâchoires. Ceci positionne le foret de manière appropriée, assurant ainsi un contact maximal entre les mâchoires du mandrin et la tige du foret.

MODÈLES À CLÉ

Pour serrer le mandrin, insérez la clé dans chacun des trois trous de clé successivement et serrez fermement. Le mandrin peut être relâché en utilisant un trou seulement (Fig. 2).

MODÈLES SANS CLÉ

Pour serrer, tenez le collier du mandrin fermement d'une main, et serrez solidement le manchon du mandrin de l'autre main (Fig. 3).

⚠ AVERTISSEMENT Pour prévenir les brûlures par friction ou les blessures éventuelles à la main, ne serrez pas ou ne desserrez pas le mandrin en utilisant la puissance de la perceuse.

FIG. 2

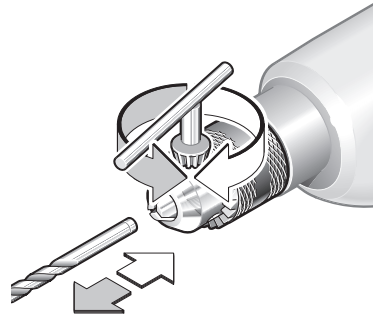
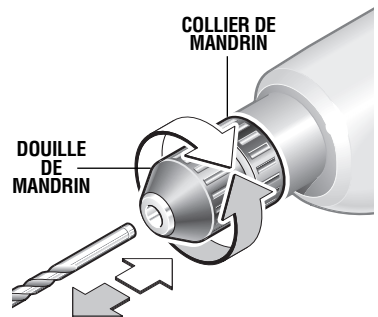


FIG. 3



Consignes de fonctionnement

Vous prolongerez la durée de vos forets et accomplirez un travail plus net si vous mettez toujours le foret en contact avec le matériau avant d'appuyer sur la gâchette. Durant le fonctionnement, tenez l'outil fermement et exercez une pression légère et constante. Une trop grande pression à basse vitesse bloquera l'outil. Une pression insuffisante empêchera le foret de couper et causera une friction excessive en glissant par-dessus la surface. L'outil et le foret peuvent ainsi être abîmés.

PERÇAGE À VITESSE VARIABLE

La fonction de vitesse variable commandée par gâchette éliminera la nécessité de poinçonner un trou central dans les matériaux durs. La gâchette à vitesse variable vous permet d'augmenter lentement le régime. En

utilisant une vitesse lente au départ, vous pouvez empêcher le foret d'« errer ». Vous pouvez augmenter la vitesse à mesure que le foret « mord » dans le matériau en appuyant sur la gâchette.

ENFONCEMENT À VITESSE VARIABLE

Les perceuses à vitesse variable peuvent également servir de tournevis motorisé en utilisant un foret de tournevis en mode de perçage. La technique consiste à commencer lentement, puis à augmenter la vitesse à mesure que la vis s'enfonce. Posez la vis de manière à obtenir un ajustement doux en ralentissant jusqu'à l'arrêt. Avant d'enfoncer des vis, il faut percer des trous de positionnement et de dégagement.

FIXATION À L'AIDE DE VIS

La procédure illustrée à la (Fig. 4) vous permettra de fixer des matériaux ensemble à l'aide de votre drille en mode de perçage sans dénuder, fendre ni séparer le matériau.

Fixez d'abord les pièces ensemble à l'aide d'une bride, et percez le premier trou aux 2/3 du diamètre de la vis. Si le matériau est tendre, percez uniquement les 2/3 de la longueur voulue. Si le matériau est dur, percez toute la longueur.

Détachez ensuite les pièces et percez le deuxième trou du même diamètre que la tige de la vis dans la première pièce ou la pièce supérieure de bois.

En troisième lieu, si une vis à tête plate est employée, fraisez le trou pour mettre la vis de niveau avec la surface. Puis, exercez tout simplement une pression uniforme en enfonçant la vis. Le trou de dégagement de la tige de la vis dans la première pièce permet à la tête de la vis de tirer les pièces fermement ensemble.

L'accessoire réglable de drille exécutera rapidement et facilement toutes ces opérations. Des drilles sont offertes pour vis de tailles 6, 8, 10 et 12.

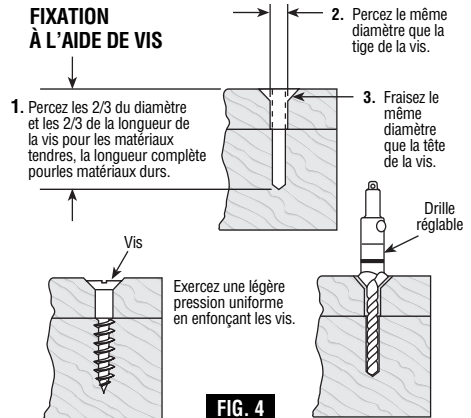


FIG. 4

FORETS

Inspectez toujours les forets pour y relever toute usure excessive. N'utilisez que des forets affilés et en bon état.

FORETS À SIMPLE SPIRALE : Offerts avec tiges droites et réduites pour le perçage du bois et le perçage non exigeant des métaux. Les forets à grande vitesse coupent plus rapidement et durent plus longtemps sur les matériaux durs.

FORETS À POINTE EN CARBURE : S'utilisent pour percer la pierre, le béton, le plâtre, le ciment et les autres matériaux non métalliques exceptionnellement durs. Exercez une forte pression continue d'alimentation lorsque vous employez des forets à pointe en carbure.

PERÇAGE DU BOIS

Assurez-vous que le matériau est assujéti par brides de fixation ou ancré fermement. Exercez toujours une

pression en ligne droite avec le foret. Maintenez suffisamment de pression pour que le foret continue à « mordre ».

Vous pouvez utiliser des forets à simple spirale pour percer des trous dans le bois. Ces forets peuvent surchauffer à moins que vous ne les retiriez fréquemment pour enlever les copeaux sur les cannelures.

Utilisez un bloc d'appui en bois pour les matériaux susceptibles de voler en éclats tels que les matériaux minces.

Vous percerez un trou plus net si vous relâchez la pression immédiatement avant que le foret ne traverse le bois. Terminez ensuite le trou à l'arrière.

Consignes de fonctionnement — suite

PERÇAGE DES MÉTAUX

Il existe deux règles pour percer les matériaux durs. En premier lieu, plus le matériau est dur, plus il vous faut exercer de pression sur l'outil. En deuxième lieu, plus le matériau est dur, plus vous devez percer lentement. Voici quelques conseils pour percer les métaux. Lubrifiez la pointe du foret à l'occasion à l'aide d'huile de coupe, sauf lorsque vous percez des métaux tendres tels que l'aluminium, le cuivre ou la fonte de fer. Si le trou à percer est assez grand, percez d'abord un plus petit trou, puis agrandissez-le aux dimensions nécessaires. C'est souvent plus rapide à long terme. Maintenez suffisamment de pression pour faire en sorte que le foret ne fasse pas seulement tourner dans le trou. Ceci émoussera le foret et réduira considérablement sa vie utile.

PERÇAGE DE LA MAÇONNERIE

Les matériaux tendres tels que la brique sont relativement faciles à percer. Cependant, le béton nécessitera une pression beaucoup plus grande pour empêcher le foret de tourner. Veillez à utiliser des forets à pointe en carbure pour tout le travail de maçonnerie.

▲ AVERTISSEMENT

Avant d'utiliser un accessoire, assurez-vous que sa vitesse maximale de fonctionnement sûr n'est pas dépassée par la vitesse indiquée sur la plaque signalétique de l'outil. Ne dépassez pas le diamètre recommandé de la meule.

PONÇAGE ET POLISSAGE

Vous constaterez que le bouton de blocage en marche est une fonction pratique pour le fonctionnement continu que nécessite le ponçage brut. Le polissage et le ponçage de finition nécessitent une « touche ». Choisissez la vitesse la plus efficace.

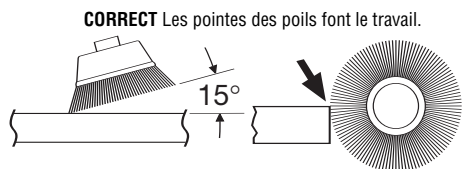
En utilisant les bonnets de polissage, assurez-vous toujours que l'excédent de corde qui fixe le bonnet est bien rentré à l'intérieur du bonnet durant le fonctionnement.

BROSSES MÉTALLIQUES

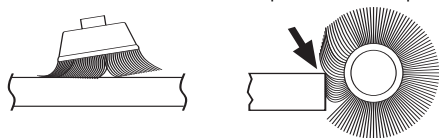
Le travail avec les brosses nécessite des grandes vitesses. L'utilisation du bouton de blocage en marche facilitera le travail.

PRESSIION DE BROSSAGE

1. Souvenez-vous : ce sont les pointes de brosse métallique qui font le travail. N'appliquez qu'une pression très légère sur la brosse de sorte que seules les pointes des poils viennent en contact avec la pièce.
2. Si vous appliquez une pression trop importante, les poils seront surchargés, résultant en un balayage de la pièce. Si ceci se prolonge, la durée de vie de la brosse s'en trouvera écourtée à cause de la fatigue des poils.
3. Appliquez la brosse sur la pièce de manière à ce que la plus grande partie possible de sa tranche soit en contact total avec la pièce. Appliquer le côté ou le bord de la brosse sur la pièce résulterait en une cassure des poils et écourterait sa durée de vie.



INCORRECT Pression excessive risquant de briser les poils.



POSE DES ÉCROUS ET DES BOULONS

La commande à vitesse variable doit être utilisée soigneusement pour poser des écrous et des boulons avec des accessoires de douille. La technique consiste à commencer lentement, puis à augmenter la vitesse à mesure que l'écrou ou le boulon s'enfonce. Posez l'écrou ou le boulon de manière à obtenir un ajustement doux en ralentissant la perceuse jusqu'à l'arrêt. Si cette technique n'est pas suivie, l'outil aura tendance à tordre dans vos mains lorsque l'écrou ou le boulon se calera.

Entretien

Service

⚠ AVERTISSEMENT Tout entretien préventif effectué par des personnels non autorisés peut résulter en mauvais placement de fils internes ou de pièces, ce qui peut présenter un danger grave. Nous vous conseillons de faire faire tout l'entretien par un centre de service d'usine Bosch ou une station service agréée Bosch.

LUBRIFICATION DE L'OUTIL

Votre outil Bosch a été lubrifié correctement en usine et il est prêt à l'utilisation. Nous vous conseillons de re-graisser les outils qui comportent des engrenages avec un lubrifiant à engrenages spécial à chaque fois que vous changez les balais.

BALAIS OU CHARBONS

Les balais (ou charbons) et le collecteur de votre outil ont été conçus pour apporter de nombreuses heures de fonctionnement fiable. Pour maintenir le rendement du moteur à son maximum, nous vous conseillons de contrôler les balais tous les deux à six mois. Il ne faut utiliser que des balais de rechange Bosch d'origine et conçus pour votre outil.

PALIERS

Après environ 300 à 400 heures de fonctionnement ou tous les deux changements de balais, il est conseillé

de faire remplacer les paliers par un centre de service d'usine Bosch ou une station service agréée Bosch. Si les paliers commencent à faire du bruit (à cause de surcharges importantes ou du toupillage de matériaux très abrasifs) il faut les faire remplacer immédiatement pour éviter la surchauffe ou une panne de moteur.

Nettoyage

⚠ AVERTISSEMENT Pour éviter les accidents, il faut toujours débrancher l'outil avant de le nettoyer ou de l'entretenir. Le meilleur moyen de nettoyer l'outil est d'utiliser de l'air comprimé sec. Il faut toujours porter des lunettes de protection quand on utilise de l'air comprimé.

Les ouïes de ventilation et les leviers de l'interrupteur doivent rester propres et exempts de corps étrangers. Ne tentez pas de les nettoyer en enfonçant des objets pointus dans les orifices.

⚠ MISE EN GARDE Certains agents de nettoyages et certains dissolvants abîment les pièces en plastique. Parmi ceux-ci se trouvent: l'essence, le tétrachlorure de carbone, les dissolvants de nettoyage chlorés, l'ammoniaque ainsi que les détergents domestiques qui en contiennent.

Accessoires

⚠ AVERTISSEMENT Si un cordon de rallonge s'avère nécessaire, vous devez utiliser un cordon avec conducteurs de dimension adéquate pouvant porter le courant nécessaire à votre outil. Ceci prévient une chute excessive de tension, une perte de courant ou une surchauffe. Les outils mis à la terre doivent utiliser des cordons de rallonge trifilaires pourvus de fiches à trois broches ainsi que des prises à trois broches.

REMARQUE : Plus le calibre est petit, plus le fil est gros.

DIMENSIONS DE RALLONGES RECOMMANDÉES OUTILS 120 VOLTS COURANT ALTERNATIF

Intensité nominale de l'outil	Calibre A.W.G.				Calibre en mm ²			
	Longueur en pieds				Longueur en mètres			
	25	50	100	150	15	30	60	120
3-6	18	16	16	14	0,75	0,75	1,5	2,5
6-8	18	16	14	12	0,75	1,0	2,5	4,0
8-10	18	16	14	12	0,75	1,0	2,5	4,0
10-12	16	16	14	12	1,0	2,5	4,0	—
12-16	14	12	—	—	—	—	—	—

Normas generales de seguridad



ADVERTENCIA

Lea todas las instrucciones. Si no se siguen todas las instrucciones que aparecen a continuación, el resultado podría ser sacudidas eléctricas, incendio y/o lesiones graves.

La expresión "herramienta mecánica" en todas las advertencias que aparecen a continuación se refiere a su herramienta mecánica alimentada por la red eléctrica (herramienta alámbrica) o su herramienta mecánica alimentada por baterías (herramienta inalámbrica).

GUARDE ESTAS INSTRUCCIONES

Seguridad del área de trabajo

Mantenga el área de trabajo limpia y bien iluminada. Las áreas desordenadas u oscuras invitan a que se produzcan accidentes.

No utilice herramientas mecánicas en atmósferas explosivas, como por ejemplo en presencia de líquidos, gases o polvos inflamables. Las herramientas mecánicas generan chispas que pueden incendiar el polvo o los vapores.

Mantenga alejados a los niños y a las personas que estén presentes mientras esté utilizando una herramienta mecánica. Las distracciones pueden hacerle perder el control de la herramienta.

Seguridad eléctrica

Los enchufes de las herramientas mecánicas deben coincidir con el tomacorriente. No modifique nunca el enchufe de ningún modo. No use enchufes adaptadores con herramientas mecánicas conectadas a tierra (puestas a tierra). Los enchufes no modificados y los tomacorrientes coincidentes reducirán el riesgo de sacudidas eléctricas.

Evite el contacto del cuerpo con las superficies conectadas o puestas a tierra, tales como tuberías, radiadores, estufas y refrigeradores. Hay un aumento del riesgo de sacudidas eléctricas si el cuerpo del operador se conecta o pone a tierra.

No exponga las herramientas mecánicas a la lluvia o a condiciones mojadas. La entrada de agua en una herramienta mecánica aumentará el riesgo de que se produzcan sacudidas eléctricas.

No maltrate el cordón de energía. No use nunca el cordón para transportar la herramienta mecánica, tirar de ella o desenrollarla. Mantenga el cordón alejado del calor, el aceite, los bordes afilados o las piezas móviles. Los cordones dañados o enganchados aumentan el riesgo de que se produzcan sacudidas eléctricas.

Cuando utilice una herramienta mecánica en el exterior, use un cordón de extensión adecuado para uso a la intemperie. La utilización de un cordón adecuado para uso a la intemperie reduce el riesgo de que se produzcan sacudidas eléctricas.

No use herramientas mecánicas con capacidad nominal solamente para CA con una fuente de energía de CC. Aunque pueda parecer que la herramienta funciona correctamente, es probable que los componentes eléctricos de la herramienta con capacidad nominal para CA fallen y creen un peligro para el operador.

Si es inevitable usar la herramienta mecánica en lugares húmedos, se debe utilizar un interruptor de circuito accionado por corriente de pérdida a tierra (GFCI) para suministrar energía a la herramienta. Un GFCI y los dispositivos de protección personal, como guantes de goma y calzado de goma de electricista, mejorarán más su seguridad personal.

Seguridad personal

Manténgase alerta, fíjese en lo que está haciendo y use el sentido común cuando esté utilizando una herramienta mecánica. No use una herramienta mecánica cuando esté cansado o bajo la influencia de drogas, alcohol o medicamentos. Un momento de distracción mientras esté utilizando herramientas mecánicas podría causar lesiones corporales graves.

Use equipo de seguridad. Use siempre protección de los ojos. El equipo de seguridad, como por ejemplo una máscara antipolvo, calzado de seguridad antideshlizante, casco o protección de oídos, utilizado para las condiciones apropiadas, reducirá las lesiones corporales.

Evite el arranque accidental. Asegúrese de que el interruptor esté en la posición de apagado antes de enchufar la herramienta. Si se transportan herramientas mecánicas con el dedo en el interruptor o se enchufan herramientas mecánicas que tienen el interruptor en la posición de encendido, se invita a que se produzcan accidentes.

Quite todas las llaves de ajuste o de tuerca antes de encender la herramienta mecánica. Una llave de tuerca o de ajuste que se deje colocada en una pieza giratoria de la herramienta mecánica podría causar lesiones corporales.

No intente alcanzar demasiado lejos. Mantenga un apoyo de los pies y un equilibrio apropiados en todo momento. Esto permite controlar mejor la herramienta mecánica en situaciones inesperadas.

Vístase adecuadamente. No use ropa holgada ni alhajas holgadas. Mantenga el pelo, la ropa y los guantes alejados de las piezas móviles. La ropa holgada, las alhajas holgadas o el pelo largo pueden quedar atrapados en las piezas móviles.

Si se proporcionan dispositivos para la conexión de instalaciones de extracción y recolección de polvo, asegúrese de que dichas instalaciones estén conectadas y se usen correctamente. El uso de estos dispositivos puede reducir los peligros relacionados con el polvo.

Mantenga los mangos secos, limpios y libres de aceite y grasa. Las manos resbalosas no pueden controlar de modo seguro la herramienta mecánica.

Uso y cuidado de las herramientas mecánicas

No fuerce la herramienta mecánica. Use la herramienta mecánica correcta para la aplicación que desee realizar. La herramienta mecánica correcta hará el trabajo mejor y con más seguridad a la capacidad nominal para la que fue diseñada.

No use la herramienta mecánica si el interruptor no la enciende y apaga. Toda herramienta mecánica que no se pueda controlar con el interruptor es peligrosa y debe ser reparada.

Desconecte el enchufe de la fuente de energía y/o el paquete de batería de la herramienta mecánica antes de hacer cualquier ajuste, cambiar accesorios o almacenar herramientas mecánicas. Dichas medidas preventivas de seguridad reducen el riesgo de arrancar accidentalmente la herramienta mecánica.

Guarde las herramientas que no esté usando fuera del alcance de los niños y no deje que personas que no estén familiarizadas con la herramienta mecánica o con estas instrucciones utilicen la herramienta. Las herramientas mecánicas son peligrosas en manos de usuarios que no hayan recibido capacitación.

Mantenga las herramientas mecánicas. Compruebe si hay piezas móviles desalineadas o que se atoran, si hay piezas rotas y si existe cualquier otra situación que podría afectar el funcionamiento de la herramienta mecánica. Si la herramienta mecánica está dañada, haga que la reparen antes de usarla. Muchos accidentes son causados por herramientas mecánicas mantenidas deficientemente.

Mantenga las herramientas de corte afiladas y limpias. Es menos probable que las herramientas de corte mantenidas apropiadamente, con bordes de corte afilados, se atoren, y dichas herramientas son más fáciles de controlar.

Use la herramienta mecánica, los accesorios, las brocas de la herramienta, etc., de acuerdo con estas instrucciones y de la manera prevista para el tipo específico de herramienta mecánica, teniendo en cuenta las condiciones de trabajo y el trabajo que se vaya a realizar. El uso de la herramienta mecánica para operaciones distintas a aquéllas para las que fue diseñada podría causar una situación peligrosa.

Use abrazaderas u otro modo práctico de sujetar y soportar la pieza de trabajo en una plataforma estable. Si se sujeta la pieza de trabajo con la mano o contra el cuerpo, se crea una situación inestable que podría causar pérdida de control.

Vacíe frecuentemente el recipiente para polvo, especialmente cuando lije madera con una superficie de revestimiento de poliuretano, barniz, goma laca o una superficie de revestimiento similar. Las partículas finas de polvo generado por el lijado podrían autoinflamarse y causar un incendio.

Servicio de ajustes y reparaciones

Haga que su herramienta mecánica reciba servicio de un técnico de reparaciones calificado, utilizando únicamente piezas de repuesto idénticas. Esto asegurará que se mantenga la seguridad de la herramienta mecánica.

Desarrolle un programa de mantenimiento periódico de la herramienta. Cuando limpie una herramienta, tenga cuidado de no desmontar ninguna de sus partes, ya que los cables internos podrían reubicarse incorrectamente o pellizcarse, o los resortes de retorno de los protectores de seguridad podrían montarse incorrectamente. Ciertos agentes de limpieza, tales como gasolina, tetracloruro de carbono, amoníaco, etc., podrían dañar las piezas de plástico.

GUARDE ESTAS INSTRUCCIONES

Normas de seguridad para taladros

Sujete la herramienta por las superficies de agarre aisladas cuando realice una operación en la que la herramienta de corte pueda entrar en contacto con cables ocultos o con su propio cordón. El contacto con un cable que tenga corriente hará que ésta pase a las partes metálicas descubiertas de la herramienta y que el operador reciba sacudidas eléctricas. *No taladre, rompa, ni haga trabajo de sujeción en paredes existentes ni en otras áreas ciegas donde pueda haber cables eléctricos. Si esta situación es inevitable, desconecte todos los fusibles o cortacircuitos que alimentan este sitio de trabajo.*

Use siempre gafas de seguridad o protección de los ojos cuando utilice esta herramienta. Use una máscara antipolvo o un respirador para aplicaciones que generan polvo.

Fije el material que se está taladrando. Nunca lo tenga en las manos ni sobre las piernas. Un soporte inestable puede hacer que la broca taladradora se atasque, causando pérdida de control y lesiones.

Nunca deje el gatillo fijo en la posición "ON" (encendido). Antes de enchufar la herramienta, compruebe que el cierre del gatillo esté en la posición "OFF" (apagado). Un arranque accidental podría causar lesiones.

Posicione el cordón de modo que esté alejado de la broca que gira. No enrolle el cordón alrededor del brazo o de la muñeca. Si pierde el control y tiene el cordón enrollado en el brazo o en la muñeca, el cordón puede atraparle y causarle lesiones.

Sitúese de modo que evite ser atrapado entre la herramienta o el mango lateral y las paredes o los postes. Si la broca se atasca o se engancha en la pieza de trabajo, el par motor de reacción de la herramienta podría aplastarle la mano o la pierna.

Si la broca se atasca en la pieza de trabajo, suelte el gatillo inmediatamente, invierta el sentido de giro y apriete lentamente el gatillo para sacar la broca. Esté preparado para un fuerte par motor de reacción. El cuerpo del taladro tenderá a torcerse en sentido contrario al del giro de la broca.

No agarre la herramienta ni ponga las manos demasiado cerca del mandril o la broca taladradora que gira. Podría sufrir laceraciones en la mano.

No utilice el dispositivo de "Fijación en ON" (encendido) del interruptor en situaciones en las que es probable que la broca taladradora se atasque. (Por ejemplo: justo antes de que la broca esté lista para atravesar el material, en cualquier momento en que se esté utilizando una sierra de perforación, brocas helicoidales para madera... etc.). Cuando la broca se atasque, el cuerpo del taladro se torcerá o experimentará retroceso en sentido contrario y es posible que sea difícil soltar el dispositivo de "Fijación en ON" del gatillo.

Sepa la ubicación y la posición del botón de "Fijación en ON" del interruptor. Si el interruptor está fijo en la posición "ON" durante el uso, esté preparado para en situaciones de emergencia ponerlo en "OFF", tirando primero del gatillo y soltándolo inmediatamente después sin oprimir el botón de "Fijación en ON".

Al instalar una broca taladradora, introduzca el cuerpo de la broca bien a fondo entre las mordazas del mandril. Si la broca no se introduce hasta una profundidad suficiente, se reduce el agarre de las mordazas sobre la broca y se aumenta la pérdida de control.

No utilice brocas ni accesorios desafilados o dañados. Las brocas o accesorios desafilados o dañados tienen mayor tendencia a atascarse en la pieza de trabajo.

Al sacar la broca de la herramienta, evite el contacto con la piel y use guantes protectores

adecuados al agarrar la broca o el accesorio. Los accesorios pueden estar calientes después de un uso prolongado.

Compruebe que las llaves de ajuste y de tuerca se hayan quitado del taladro antes de encender la herramienta. Las llaves de ajuste o de tuerca pueden salir despedidas a gran velocidad y golpearle a usted o golpear a alguien que se esté presente.

No tenga en marcha el taladro mientras lo lleva a su lado. Una broca taladradora que gira podría engancharse en la ropa y producir lesiones.

Esta herramienta puede utilizarse con discos de lijar y de pulir, ruedas de amolar, cepillos circulares de alambre y cepillos acopados de alambre. Estos accesorios deben tener capacidad nominal para al menos la velocidad recomendada en la etiqueta de advertencias de la herramienta. Las ruedas y otros accesorios que se utilicen a una velocidad superior a la nominal pueden romperse, salir despedidas y causar lesiones.

Evite rebotar y desbastar las ruedas, discos o cepillos, especialmente cuando trabaje en esquinas, bordes afilados, etc. Esto puede causar pérdida de control y retroceso.

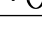
⚠ ADVERTENCIA Cierta polvo generado por el lijado, aserrado, amolado y taladrado mecánicos, y por otras actividades de construcción, contiene agentes químicos que se sabe que causan cáncer, defectos de nacimiento u otros daños sobre la reproducción. Algunos ejemplos de estos agentes químicos son:

- Plomo de pinturas a base de plomo,
- Sílice cristalina de ladrillos y cemento y otros productos de mampostería, y
- Arsénico y cromo de madera tratada químicamente.

Su riesgo por causa de estas exposiciones varía, dependiendo de con cuánta frecuencia realice este tipo de trabajo. Para reducir su exposición a estos agentes químicos: trabaje en un área bien ventilada y trabaje con equipo de seguridad aprobado, como por ejemplo máscaras antipolvo que estén diseñadas especialmente para impedir mediante filtración el paso de partículas microscópicas.

Símbolos

IMPORTANTE: Es posible que algunos de los símbolos siguientes se usen en su herramienta. Por favor, estúdielos y aprenda su significado. La interpretación adecuada de estos símbolos le permitirá utilizar la herramienta mejor y con más seguridad.

Símbolo	Nombre	Designación/explicación
V	Volt	Tensión (potencial)
A	Ampere	Corriente
Hz	Hertz	Frecuencia (ciclos por segundo)
W	Watt	Potencia
kg	Kilogramo	Peso
min	Minuto	Tiempo
s	Segundo	Tiempo
∅	Diámetro	Tamaño de las brocas taladradoras, muelas, etc
n_0	Velocidad sin carga	Velocidad rotacional sin carga
.../min	Revoluciones o alternación por minuto	Revoluciones, golpes, velocidad de superficie, órbitas, etc., por minuto
0	Posición "off" (apagado)	Velocidad cero, par motor cero...
1, 2, 3, ... I, II, III,	Graduaciones del selector	Graduaciones de velocidad, par motor o posición. Un número más alto significa mayor velocidad
0 	Selector infinitamente variable con apagado	La velocidad aumenta desde la graduación de 0
	Flecha	Acción en la dirección de la flecha
	Corriente alterna	Tipo o una característica de corriente
	Corriente continua	Tipo o una característica de corriente
	Corriente alterna o continua	Tipo o una característica de corriente
	Construcción de clase II	Designa las herramientas de construcción con aislamiento doble.
	Terminal de toma de tierra	Terminal de conexión a tierra
	Símbolo de advertencia	Alerta al usuario sobre mensajes de advertencia
	Sello RBRC™ de Ni-Cd	Designa el programa de reciclaje de baterías de Ni-Cd



Este símbolo indica que esta herramienta está catalogada por Underwriters Laboratories.



Este símbolo indica que Underwriters Laboratories ha catalogado esta herramienta indicando que cumple las normas canadienses.



Este símbolo indica que esta herramienta está catalogada por la Canadian Standards Association.



Este símbolo indica que esta herramienta está catalogada por Underwriters Laboratories y que Underwriters Laboratories la ha catalogado según las normas canadienses.



Este símbolo indica que esta herramienta cumple con la norma mexicana oficial (NOM).

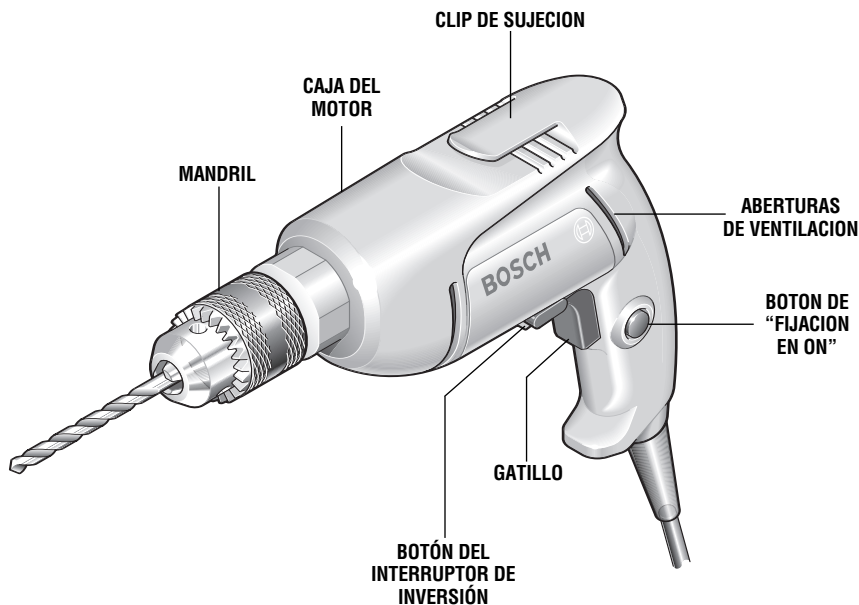
Descripción funcional y especificaciones



ADVERTENCIA Desconecte el enchufe de la fuente de energía antes de realizar cualquier ensamblaje o ajuste, o cambiar accesorios. Estas medidas de seguridad preventivas reducen el riesgo de arrancar la herramienta accidentalmente.

Taladros

FIG. 1



CAPACIDADES MAXIMAS

No. de modelo	Tamaño y tipo de mandril	Tamaños de tornillo	Acero suave	Madera dura	Sierra perforadora	Broca helicoidal para madera
1004VSR	3/8" de apriete con llave	No. 8 x 2-1/2"	3/8"	1"	1-3/8"	NR
1005VSR	3/8" de apriete sin llave	No. 8 x 2-1/2"	3/8"	1"	1-3/8"	NR

NR = No recomendado

ATENCION: Los taladros de 3/8 de pulgada no se recomiendan para apretar pernos de rosca para madera.

NOTA: Para obtener las especificaciones de la herramienta, consulte la placa del fabricante colocada en la herramienta.

Instrucciones de funcionamiento

VELOCIDAD VARIABLE CONTROLADA POR GATILLO

La herramienta está equipada con un interruptor gatillo de velocidad variable. La velocidad de la herramienta se puede controlar desde las RPM mínimas hasta las RPM máximas indicadas en la placa del fabricante por medio de la presión que usted ejerce sobre el gatillo. Ejerza más presión para aumentar la velocidad y disminuya la presión para reducir la velocidad (Fig. 1).

BOTON DE "FIJACION EN ON"

La herramienta también esta equipada con un botón de "Fijación en ON" ubicado en el lado izquierdo del mango gatillo, el cual permite un funcionamiento continuo a RPM máximas sin tener que mantener apretado el gatillo (Fig. 1).

PARA FIJAR EL INTERRUPTOR EN LA POSICION ON: apriete el gatillo, oprima el botón y suelte el gatillo.

PARA DESBLOQUEAR EL INTERRUPTOR: apriete el gatillo y suéltelo sin oprimir el botón de "Fijación en ON".

⚠ ADVERTENCIA Si se oprime continuamente el botón de "Fijación en ON", no se puede soltar el gatillo.

BOTÓN DEL INTERRUPTOR DE INVERSIÓN

El botón del interruptor de inversión está ubicado encima

del interruptor gatillo y se utiliza para invertir el sentido de rotación de la broca. Para la rotación de avance (con el mandril orientado en sentido opuesto a usted), mueva el botón completamente hacia la izquierda. Para la rotación inversa, mueva el botón completamente hacia la derecha.

⚠ PRECAUCION No cambie el sentido de giro hasta que la herramienta se haya detenido por completo. El cambio durante el giro del mandril puede causar daños a la herramienta.

CLIP DE SUJECIÓN

La herramienta está equipada con un clip de sujeción que permite sujetar convenientemente el taladro en la correa del operador (Fig. 1). Este dispositivo permite tener ambas manos libres al subir a una escalera de mano o posicionar el material que se va a fijar.

LLAVE DE MANDRIL Y AREA PARA

Los modelos de apriete con llave están equipados con una llave de mandril ubicada de modo práctico en el protector del cordón donde siempre se encuentra a mano y es improbable que se pierda o se olvide en algún lugar.

COLOCACION DE LA BROCA

Para brocas pequeñas, abra las mordazas lo suficiente para introducir la broca hasta las estrías. Para brocas grandes, introduzca la broca hasta donde se pueda. Centre la broca a medida que vaya cerrando las mordazas a mano. Esto coloca la broca adecuadamente, proporcionando un contacto máximo entre las mordazas del mandril y el cuerpo de la broca.

MODELOS DE APRIETE CON LLAVE

Para apretar el mandril, introduzca la llave en cada uno de los tres agujeros para llave sucesivamente y apriete firmemente. El mandril se puede soltar usando un solo agujero (Fig. 2).

MODELOS DE APRIETE SIN LLAVE

Para apretar, sujete el collarín del mandril firmemente con una mano y apriete el manguito del mandril firmemente con la otra mano (Fig. 3).

⚠ ADVERTENCIA Para evitar quemaduras de fricción o posibles lesiones en las manos, no afloje ni apriete el mandril utilizando la fuerza del taladro.

FIG. 2

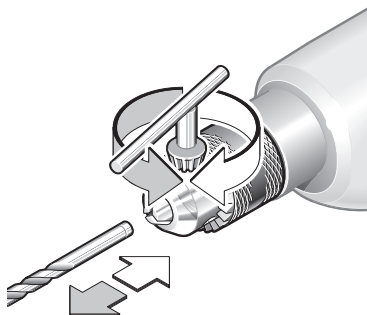
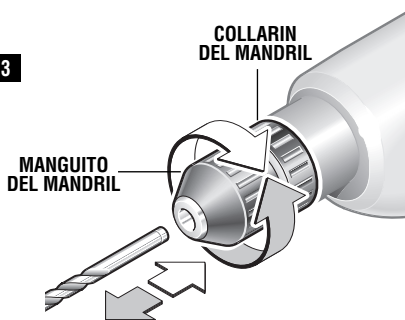


FIG. 3



Consejos de funcionamiento

Usted prolongará la vida de las brocas y realizará un trabajo mejor ejecutado si siempre pone la broca en contacto con la pieza de trabajo antes de apretar el gatillo. Durante el funcionamiento, sujete firmemente la herramienta y ejerza una presión ligera y uniforme. Una presión excesiva a baja velocidad hará que la herramienta se detenga. Una presión demasiado pequeña no permitirá que la broca corte y producirá un exceso de fricción al patinar sobre la superficie. Esto puede ser perjudicial tanto para la herramienta como para la broca.

TALADRADO CON VELOCIDAD VARIABLE

El dispositivo de velocidad variable controlada por gatillo eliminará la necesidad de punzonaduras para marcar en materiales duros. El gatillo de velocidad variable le

permite a usted aumentar las RPM lentamente. Mediante la utilización de una velocidad inicial lenta, usted puede evitar que la broca se desvíe. Puede aumentar la velocidad apretando el gatillo a medida que la broca se va introduciendo en la pieza de trabajo.

APRIETE DE TORNILLOS CON VELOCIDAD VARIABLE

Los taladros de velocidad variable servirán al mismo tiempo de destornillador mecánico mediante la utilización de una broca de destornillador. La técnica consiste en empezar despacio, aumentando la velocidad a medida que el tornillo avanza. Coloque el tornillo de manera que ajuste perfectamente mediante la disminución de la velocidad hasta detenerse. Antes de apretar los tornillos, se deben taladrar agujeros piloto y de paso.

SUJECION CON TORNILLOS

El procedimiento mostrado en la (Fig. 4) le permitirá a usted sujetar unos materiales a otros usando el taladro sin desforrar, rajar ni separar el material.

Primero, fije las piezas una a otra y taladre el primer agujero con 2/3 del diámetro del tornillo. Si el material es blando, taladre únicamente 2/3 de la longitud adecuada. Si es duro, taladre la longitud completa.

Segundo, suelte las piezas y taladre el segundo agujero con el mismo diámetro que el cuerpo del tornillo en la primera pieza, o pieza superior, de madera.

Tercero, si se utiliza un tornillo de cabeza plana, avellane el agujero para hacer que el tornillo quede al ras con la superficie. Luego, simplemente ejerza una presión uniforme cuando apriete el tornillo. El agujero de paso del cuerpo del tornillo en la primera pieza permite que la cabeza del tornillo mantenga las piezas unidas firmemente.

El accesorio de broca de tornillo ajustable realizará todas estas operaciones rápida y fácilmente. Hay brocas de tornillo disponibles para tamaños de tornillo No. 6, 8, 10 y 12.

SUJECION CON TORNILLOS

1. Taladre 2/3 del diámetro y 2/3 de la longitud del tornillo para materiales blandos y la longitud completa para materiales duros.
2. Taladre el mismo diámetro que el cuerpo del tornillo.
3. Avellane el mismo diámetro que la cabeza del tornillo.

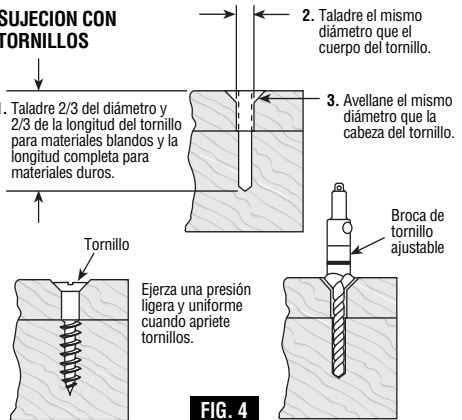


FIG. 4

BROCAS PARA TALADRO

Inspeccione siempre las brocas para ver si se ha producido un desgaste excesivo. Utilice únicamente brocas que están afiladas y en buenas condiciones.

BROCAS DE ESPIRAL: Disponibles con cuerpos rectos y acortados para taladrado de madera y taladrado ligero de metal. Las brocas de alta velocidad cortan más rápido y duran más en materiales duros.

BROCAS CON PUNTA DE CARBURO: Utilizadas para taladrar piedra, hormigón, escayola, cemento y otros no metales extraordinariamente duros. Utilice una fuerte presión de avance continua cuando emplee brocas con punta de carburo.

TALADRADO DE MADERA

Asegúrese de que la pieza de trabajo está fija o sujeta firmemente. Ejerza presión siempre en línea recta con la

broca. Mantenga una presión suficiente para que la broca continúe penetrando.

Al taladrar agujeros en madera, se pueden utilizar brocas de espiral. Las brocas de espiral pueden recalentarse a menos que se saquen con frecuencia para quitar las virutas de las estrías.

Utilice un bloque de madera de "refuerzo" para piezas de trabajo que es posible que se astillen, tales como materiales delgados.

Usted taladrará un agujero mejor hecho si disminuye la presión justo antes de que la broca atraviese la madera completamente. Luego, termine el agujero desde la parte posterior.

Consejos de funcionamiento - cont.

TALADRADO DE METAL

Hay dos reglas para taladrar materiales duros. Primero, cuanto más duro sea el material, mayor es la presión que usted necesita ejercer sobre la herramienta. Segundo, cuanto más duro sea el material, más lenta ha de ser la velocidad. He aquí unos cuantos consejos para taladrar metal. Lubrique la punta de la broca de vez en cuando con aceite para cortar, excepto al taladrar metales blandos tales como aluminio, cobre o hierro fundido. Si el agujero que se va a taladrar es bastante grande, primero taladre un agujero más pequeño y luego agrándelo hasta el tamaño requerido; a la larga, esto suele ser más rápido. Mantenga suficiente presión para asegurar que la broca no se limita a dar vueltas sin avanzar dentro del agujero. Esto desafilará la broca y acortará mucho la vida de ésta.

TALADRADO DE MAMPOSTERIA

Los materiales blandos tales como el ladrillo son relativamente fáciles de taladrar. Sin embargo, el hormigón requerirá mucha más presión para evitar que la broca dé vueltas sin avanzar. Asegúrese de utilizar brocas con punta de carburo para todo el trabajo de mampostería.

⚠ ADVERTENCIA

Antes de utilizar un accesorio, asegúrese de que la velocidad especificada en la placa del fabricante de la herramienta no exceda la velocidad máxima de funcionamiento con seguridad de dicho accesorio. No exceda el diámetro de rueda recomendado.

LIJADO Y PULIDO

Encontrará que el dispositivo del botón de "Fijación en ON" es práctico para el funcionamiento continuo que se requiere para el lijado basto. El lijado fino y el pulido requieren "toque". Seleccione la velocidad más eficaz.

Al utilizar bonetes para pulir, asegúrese siempre de que el exceso de cordel que fija el bonete esté bien recogido dentro del bonete durante el funcionamiento.

ESCOBILLAS DE ALAMBRE

El trabajo con escobillas requiere altas velocidades. La utilización del dispositivo del botón de "Fijación en ON" permitirá una utilización mucho más fácil.

PRESIÓN DE CEPILLADO

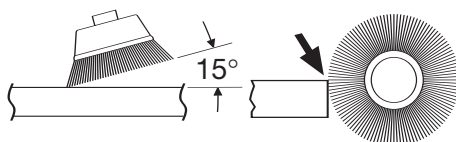
1. Recuerde que las puntas de un cepillo de alambre hacen el trabajo. Utilice el cepillo con la presión más

ligera para que solamente las puntas del alambre entren en contacto con la pieza de trabajo.

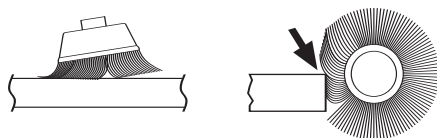
2. Si se utilizan presiones más grandes, se someterá a los alambres a una tensión excesiva, lo cual dará como resultado una acción de barrido, y si se continúa haciendo esto, podrá acortarse la duración del cepillo debido a la fatiga del alambre.

3. Aplique el cepillo a la pieza de trabajo de manera que tanta cara del cepillo como sea posible esté en contacto completo con la pieza de trabajo. La aplicación del lado o del borde del cepillo a la pieza de trabajo causará la rotura del alambre y acortará la duración del cepillo.

CORRECTO: Las puntas de alambre hacen el trabajo.



INCORRECTO: Una presión excesiva puede causar la rotura del alambre.



APRIETE DE TUERCAS Y PERNOS

El control de velocidad variable se debe utilizar con precaución para apretar tuercas y pernos con accesorios del juego de tubos. La técnica consiste en empezar despacio, aumentando la velocidad a medida que la tuerca o el perno avanza. Coloque la tuerca o el perno de manera que encaje perfectamente mediante la disminución de la velocidad del taladro hasta que éste se detenga. Si no se sigue este procedimiento, la herramienta tendrá tendencia a experimentar un par motor o a torcerse en las manos cuando la tuerca o el perno se asiente en su sitio.

Mantenimiento

Servicio

⚠ ADVERTENCIA El mantenimiento preventivo realizado por personal no autorizado puede dar lugar a la colocación incorrecta de cables y componentes internos que podría constituir un peligro serio. Recomendamos que todo el servicio de las herramientas sea realizado por un Centro de servicio de fábrica Bosch o por una Estación de servicio Bosch autorizada.

LUBRICACIÓN DE LAS HERRAMIENTAS

Su herramienta Bosch ha sido lubricada adecuadamente y está lista para la utilización. Se recomienda que las herramientas con engranajes se vuelvan a engrasar con un lubricante especial para engranajes en cada cambio de escobillas.

ESCOBILLAS DE CARBÓN

Las escobillas y el conmutador de la herramienta han sido diseñados para muchas horas de servicio fiable. Para mantener un rendimiento óptimo del motor, recomendamos que cada dos a seis meses se examinen las escobillas. Sólo se deben usar escobillas de repuesto Bosch genuinas diseñadas específicamente para su herramienta.

RODAMIENTOS

Después de 300-400 horas de funcionamiento, o después de cada segundo cambio de escobillas, los

rodamientos deben cambiarse en un Centro de servicio de fábrica Bosch o en una Estación de servicio Bosch autorizada. Los rodamientos que se vuelven ruidosos (debido a la pesada carga o al corte de materiales muy abrasivos) deben ser sustituidos inmediatamente para evitar el sobrecalentamiento o el fallo del motor.

Limpieza

⚠ ADVERTENCIA Para evitar accidentes desconecte siempre la herramienta de la fuente de energía antes de la limpieza o de la realización de cualquier mantenimiento. La herramienta se puede limpiar más eficazmente con aire comprimido seco. Use gafas de seguridad siempre que limpie herramientas con aire comprimido.

Las aberturas de ventilación y las palancas de interruptor deben mantenerse limpias y libres de materias extrañas. No intente limpiar introduciendo objetos puntiagudos a través de las aberturas.

⚠ PRECAUCIÓN Ciertos agentes de limpieza y disolventes dañan las piezas de plástico. Algunos de estos son: gasolina, tetracloruro de carbono, disolventes de limpieza clorados, amoníaco y detergentes domésticos que contienen amoníaco.

Accesorios

⚠ ADVERTENCIA Si es necesario un cordón de extensión, se debe usar un cordón con conductores de tamaño adecuado que sea capaz de transportar la corriente necesaria para la herramienta. Esto evitará caídas de tensión excesivas, pérdida de potencia o recalentamiento. Las herramientas conectadas a tierra deben usar cordones de extensión de 3 hilos que tengan enchufes de 3 terminales y receptáculos para 3 terminales.

NOTA: Cuanto más pequeño es el número de calibre, más grueso es el cordón.

TAMAÑOS RECOMENDADOS DE CORDONES DE EXTENSION HERRAMIENTAS DE 120 V CORRIENTE ALTERNA

Capacidad nominal en amperes de la herramienta	Tamaño del cordón en A.W.G.				Tamaños del cable en mm ²			
	Longitud del cordón en pies		Longitud del cordón en metros		Longitud del cordón en pies		Longitud del cordón en metros	
	25	50	100	150	15	30	60	120
3-6	18	16	16	14	0,75	0,75	1,5	2,5
6-8	18	16	14	12	0,75	1,0	2,5	4,0
8-10	18	16	14	12	0,75	1,0	2,5	4,0
10-12	16	16	14	12	1,0	2,5	4,0	—
12-16	14	12	—	—	—	—	—	—

Notes:

Remarques :

Notas:

LIMITED WARRANTY OF BOSCH PORTABLE AND BENCHTOP POWER TOOLS

Robert Bosch Tool Corporation ("Seller") warrants to the original purchaser only, that all BOSCH portable and benchtop power tools will be free from defects in material or workmanship for a period of one year from date of purchase. SELLER'S SOLE OBLIGATION AND YOUR EXCLUSIVE REMEDY under this Limited Warranty and, to the extent permitted by law, any warranty or condition implied by law, shall be the repair or replacement of parts, without charge, which are defective in material or workmanship and which have not been misused, carelessly handled, or misrepaired by persons other than Seller or Authorized Service Station. To make a claim under this Limited Warranty, you must return the complete portable or benchtop power tool product, transportation prepaid, to any BOSCH Factory Service Center or Authorized Service Station. For Authorized BOSCH Power Tool Service Stations, please refer to your phone directory.

THIS LIMITED WARRANTY DOES NOT APPLY TO ACCESSORY ITEMS SUCH AS CIRCULAR SAW BLADES, DRILL BITS, ROUTER BITS, JIGSAW BLADES, SANDING BELTS, GRINDING WHEELS AND OTHER RELATED ITEMS.

ANY IMPLIED WARRANTIES SHALL BE LIMITED IN DURATION TO ONE YEAR FROM DATE OF PURCHASE. SOME STATES IN THE U.S., SOME CANADIAN PROVINCES DO NOT ALLOW LIMITATIONS ON HOW LONG AN IMPLIED WARRANTY LASTS, SO THE ABOVE LIMITATION MAY NOT APPLY TO YOU.

IN NO EVENT SHALL SELLER BE LIABLE FOR ANY INCIDENTAL OR CONSEQUENTIAL DAMAGES (INCLUDING BUT NOT LIMITED TO LIABILITY FOR LOSS OF PROFITS) ARISING FROM THE SALE OR USE OF THIS PRODUCT. SOME STATES IN THE U.S. AND SOME CANADIAN PROVINCES DO NOT ALLOW THE EXCLUSION OR LIMITATION OF INCIDENTAL OR CONSEQUENTIAL DAMAGES, SO THE ABOVE LIMITATION OR EXCLUSION MAY NOT APPLY TO YOU.

THIS LIMITED WARRANTY GIVES YOU SPECIFIC LEGAL RIGHTS, AND YOU MAY ALSO HAVE OTHER RIGHTS WHICH VARY FROM STATE TO STATE IN THE U.S., PROVINCE TO PROVINCE IN CANADA AND FROM COUNTRY TO COUNTRY.

THIS LIMITED WARRANTY APPLIES ONLY TO PORTABLE AND BENCHTOP ELECTRIC TOOLS SOLD WITHIN THE UNITED STATES OF AMERICA, CANADA AND THE COMMONWEALTH OF PUERTO RICO. FOR WARRANTY COVERAGE WITHIN OTHER COUNTRIES, CONTACT YOUR LOCAL BOSCH DEALER OR IMPORTER.

GARANTEE LIMITÉE DES OUTILS ÉLECTRIQUES PORTATIFS ET D'ÉTABLI BOSCH

Robert Bosch Tool Corporation (le « vendeur ») garantit à l'acheteur initial seulement que tous les outils électriques portatifs et d'établi BOSCH seront exempts de vices de matériaux ou d'exécution pendant une période d'un an depuis la date d'achat. LA SEULE OBLIGATION DU VENDEUR ET LE SEUL RECOURS DE L'ACHETEUR sous la présente garantie limitée, et en autant que la loi le permette sous toute garantie ou condition implicite qui en découlerait, sera l'obligation de remplacer ou réparer gratuitement les pièces défectueuses matériellement ou comme fabrication, pourvu que lesdites défectosités ne soient pas attribuables à un usage abusif ou à quelque réparation bricolée par quelqu'un d'autre que le vendeur ou le personnel d'une station-service agréée. Pour présenter une réclamation en vertu de cette garantie limitée, vous devez renvoyer l'outil électrique portatif ou d'établi complet, port payé, à tout centre de service agréé ou centre de service usine. Veuillez consulter votre annuaire téléphonique pour les adresses.

LA PRÉSENTE GARANTEE NE S'APPLIQUE PAS AUX ACCESSOIRES TELS QUE LAMES DE SCIES CIRCULAIRES, MÊCHES DE PERCEUSES, FERS DE TÔUPES, LAMES DE SCIES SAUTEUSES, COURROIES DE PONÇAGE, MEULES ET AUTRES ARTICLES DU GENRE.

TOUTE GARANTEE IMPLICITE SERA LIMITÉE COMME DURÉE À UN AN À COMPTER DE LA DATE D'ACHAT. CERTAINS ÉTATS AMÉRICAINS, CERTAINES PROVINCES CANADIENNES N'ADMETTANT PAS LE PRINCIPE DE LA LIMITATION DE LA DURÉE DES GARANTIES IMPLICITES, IL EST POSSIBLE QUE LES LIMITATIONS CI-DESSUS NE S'APPLIQUENT PAS À VOTRE CAS.

EN AUCUN CAS LE VENDEUR NE SAURAIT ÊTRE TENU POUR RESPONSABLE DES INCIDENTS OU DOMMAGES INDIRECTS (INCLUANT, MAIS NE SE LIMITANT PAS AUX PERTES DE PROFITS) CONSÉQUENTS À LA VENTE OU L'USAGE DE CE PRODUIT. CERTAINS ÉTATS AMÉRICAINS ET CERTAINES PROVINCES CANADIENNES N'ADMETTANT PAS LE PRINCIPE DE LA LIMITATION NI L'EXCLUSION DES DOMMAGES INDIRECTS ET CONSÉQUENTS, IL EST POSSIBLE QUE LES LIMITATIONS OU EXCLUSIONS CI-DESSUS NE S'APPLIQUENT PAS À VOTRE CAS.

LA PRÉSENTE GARANTEE VOUS ACCORDE DES DROITS BIEN DÉTERMINÉS, Y COMPRIS POSSIBLEMENT CERTAINS DROITS VARIABLES DANS LES DIFFÉRENTS ÉTATS AMÉRICAINS, PROVINCES CANADIENNE ET DE PAYS À PAYS.

CETTE GARANTEE LIMITÉE NE S'APPLIQUE QU'AUX OUTILS ÉLECTRIQUES PORTATIFS ET D'ÉTABLI VENDUS AUX ÉTATS-UNIS D'AMÉRIQUE, AU CANADA ET AU COMMONWEALTH DE PORTO RICO. POUR COUVERTURE DE GARANTEE DANS LES AUTRES PAYS, CONTACTEZ VOTRE IMPORTATEUR OU REVENDEUR BOSCH LOCAL.

GARANTIA LIMITADA PARA HERRAMIENTAS MECANICAS PORTATILES Y PARA TABLERO DE BANCO BOSCH

Robert Bosch Tool Corporation ("el Vendedor") garantiza, únicamente al comprador original, que todas las herramientas mecánicas portátiles y para tablero de banco BOSCH (estarán libres de defectos de material o de fabricación durante un período de un año a partir de la fecha de compra. LA ÚNICA OBLIGACION DEL VENDEADOR Y EL RECURSO EXCLUSIVO QUE USTED TIENE bajo esta Garantía Limitada y, hasta donde la ley lo permita, bajo cualquier garantía o condición implícita por ley, consistirá en la reparación o sustitución sin costo de las piezas que presenten defectos de material o de fabricación y que no hayan sido utilizadas incorrectamente, manejadas descuidadamente o reparadas incorrectamente por personas que no sean el Vendedor o una Estación de servicio autorizada. Para efectuar una reclamación bajo esta Garantía Limitada, usted debe devolver el producto, que consiste en la herramienta mecánica portátil o para tablero de banco completa, con el transporte pagado, a cualquier Centro de servicio de fábrica o Estación de servicio autorizada. Para Estaciones de servicio autorizadas de herramientas mecánicas BOSCH, por favor, consulte el directorio telefónico.

ESTA GARANTIA LIMITADA NO SE APLICA A ARTICULOS ACCESORIOS TALES COMO HOJAS PARA SIERRAS CIRCULARES, BROCAS PARA TALADROS, BROCAS PARA FRESADORAS, HOJAS PARA SIERRAS DE VAIVEN, CORREAS PARA LIJAR, RUEDAS DE AMOLAR Y OTROS ARTICULOS RELACIONADOS.

TODAS LAS GARANTIAS IMPLICITAS TENDRAN UNA DURACION LIMITADA A UN AÑO A PARTIR DE LA FECHA DE COMPRA. ALGUNOS ESTADOS DE LOS EE.UU. Y ALGUNAS PROVINCIAS CANADIENSES NO PERMITEN LIMITACIONES EN CUANTO A LA DURACION DE UNA GARANTIA IMPLICITA, POR LO QUE ES POSIBLE QUE LA LIMITACION ANTERIOR NO SEA APLICABLE EN EL CASO DE USTED.

EL VENDEADOR NO SERA RESPONSABLE EN NINGUN CASO DE NINGUN DAÑO INCIDENTAL O EMERGENTE (INCLUYENDO PERO NO LIMITADO A RESPONSABILIDAD POR PERDIDA DE BENEFICIOS) QUE SE PRODUZCA COMO CONSECUENCIA DE LA VENTA O UTILIZACION DE ESTE PRODUCTO. ALGUNOS ESTADOS DE LOS EE.UU. Y ALGUNAS PROVINCIAS CANADIENSES NO PERMITEN LA EXCLUSION O LIMITACION DE LOS DAÑOS INCIDENTALES O EMERGENTES, POR LO QUE ES POSIBLE QUE LA LIMITACION O EXCLUSION ANTERIOR NO SEA APLICABLE EN EL CASO DE USTED.

ESTA GARANTIA LIMITADA LE CONFIERE A USTED DERECHOS LEGALES ESPECIFICOS Y ES POSIBLE QUE USTED TAMBIEN TENGA OTROS DERECHOS QUE VARIAN DE ESTADO A ESTADO EN LOS EE.UU., DE PROVINCIA A PROVINCIA EN CANADA Y DE UN PAIS A OTRO.

ESTA GARANTIA LIMITADA SE APLICA SOLAMENTE A HERRAMIENTAS ELECTRICAS PORTATILES Y PARA TABLERO DE BANCO VENDIDAS EN LOS ESTADOS UNIDOS DE AMERICA, CANADA Y EL ESTADO LIBRE ASOCIADO DE PUERTO RICO. PARA COBERTURA DE GARANTIA EN OTROS PAISES, PONGASE EN CONTACTO CON SU DISTRIBUIDOR O IMPORTADOR LOCAL DE BOSCH.

© Robert Bosch Tool Corporation 1800 W. Central Road Mt. Prospect, IL 60056 -2230

Exportado por: Robert Bosch Tool Corporation Mt. Prospect, IL 60056 -2230, E.U.A.

Importado en México por: Robert Bosch, S.A. de C.V., Calle Robert Bosch No. 405, Zona Industrial, Toluca, Edo. de México, C.P. 50070, Tel. (722) 2792300